

1

2

3

4

A

A

B

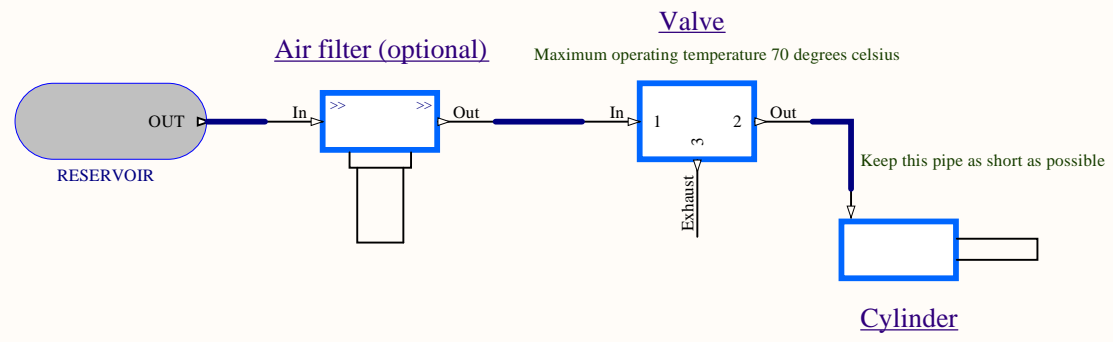
B

C

C

D

D



**Clutch Control - Pneumatics**

Revision date: 2017-11-17

Author: M.M.

**MME Motorsport**  
www.mme-motorsport.com

1

2

3

4