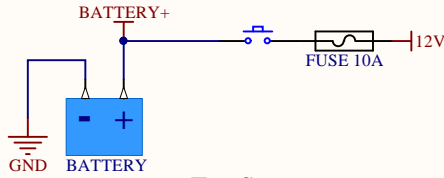
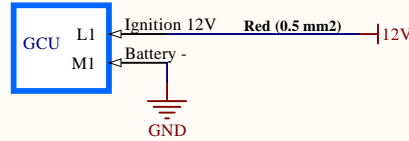


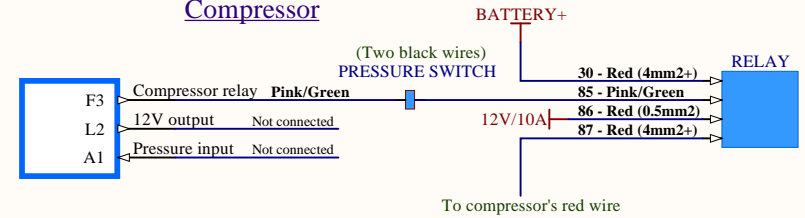
Battery & Ignition switch



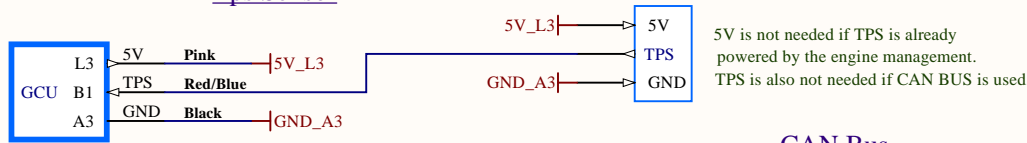
GCU Power



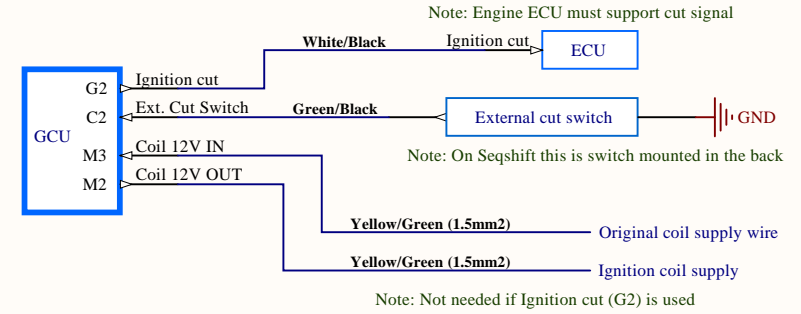
Compressor



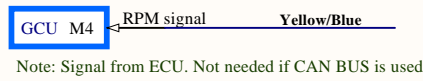
Tps Sensor



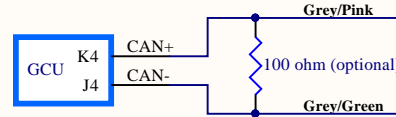
Ignition cut



RPM



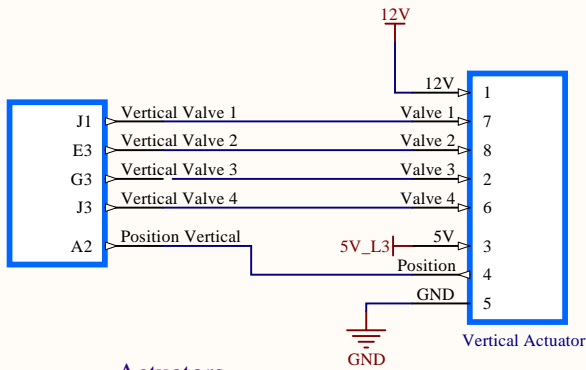
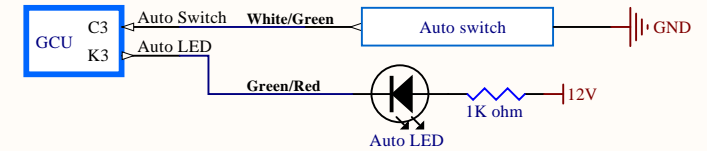
CAN Bus



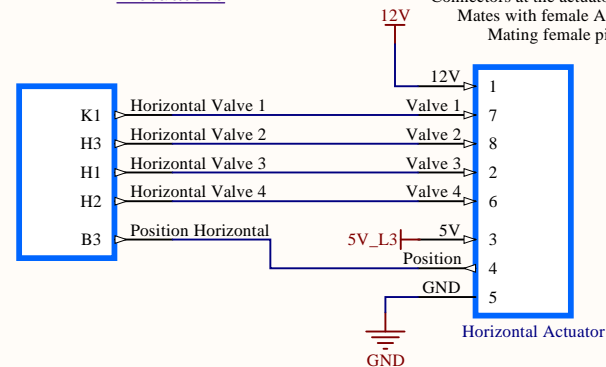
Paddles / Buttons



Auto shifting



Actuators



Connectors at the actuators: Male ATM04-08PA
Mates with female Amphenol ATM06-08SA
Mating female pins: AT26-20-0122-S

Gear display / Shift light

