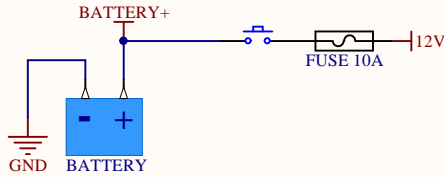
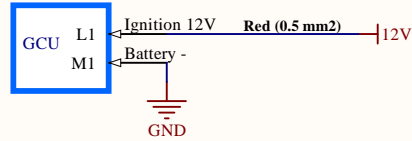


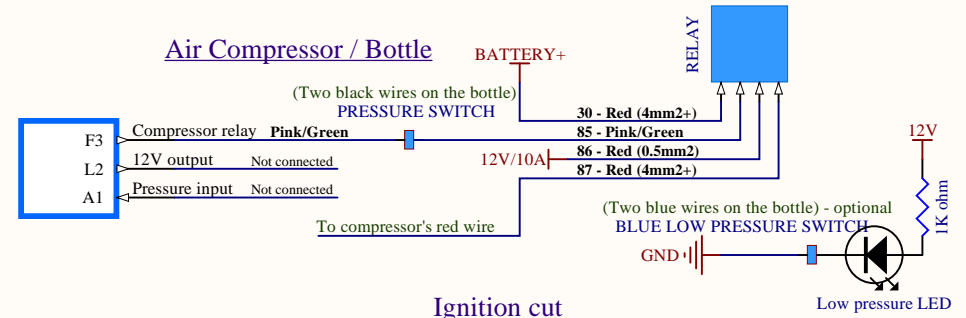
Battery & Ignition switch



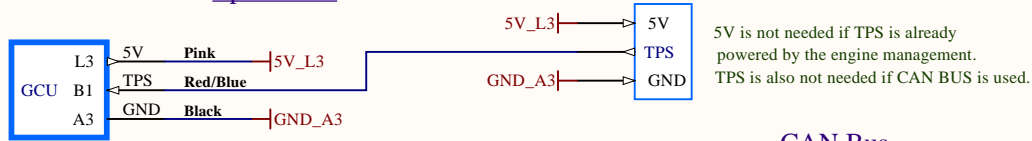
GCU Power



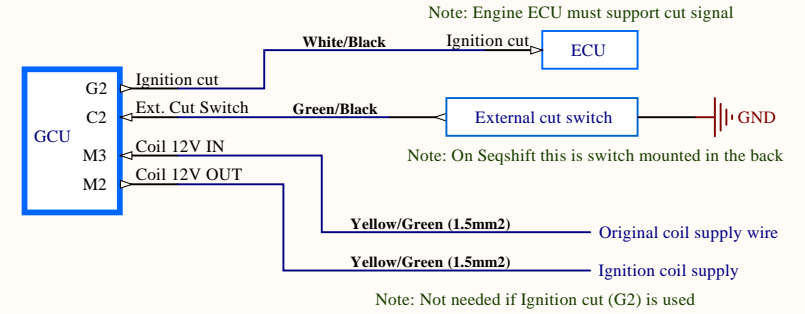
Air Compressor / Bottle



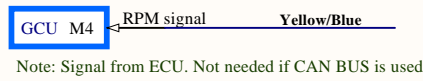
Tps Sensor



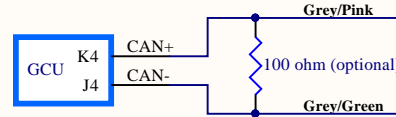
Ignition cut



RPM



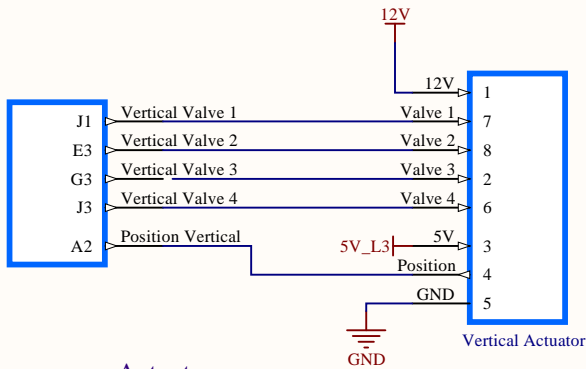
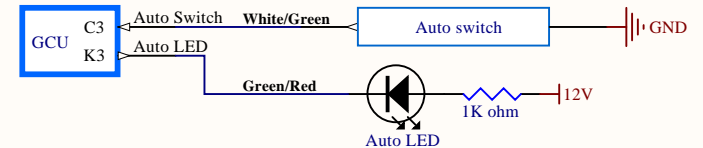
CAN Bus



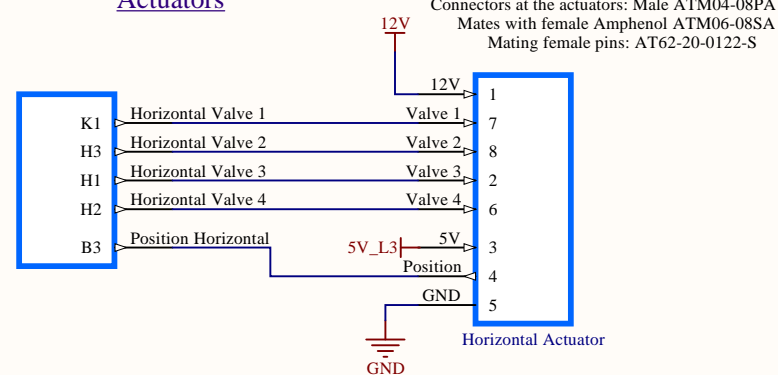
Paddles / Buttons



Auto shifting



Actuators



Gear display / Shift light

