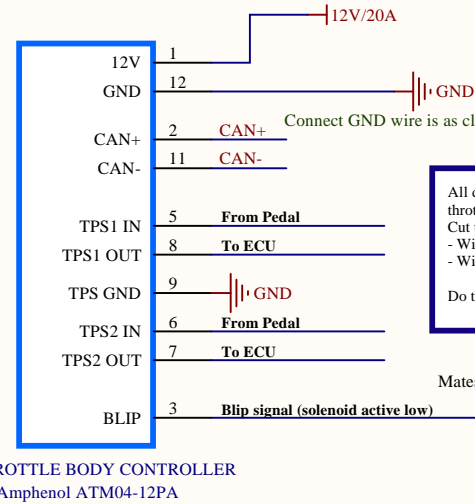
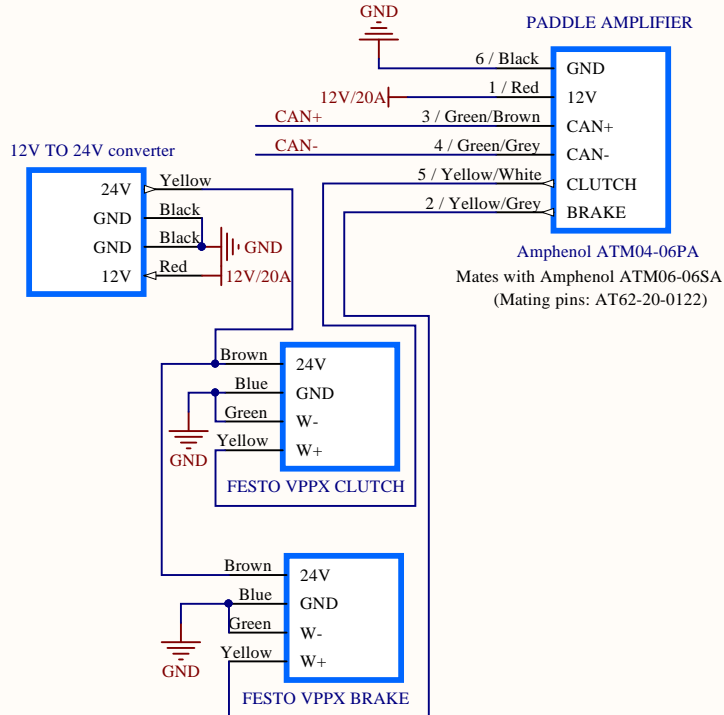
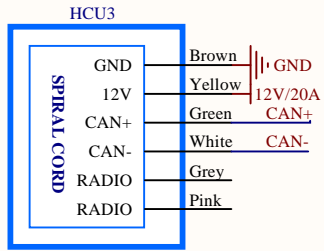
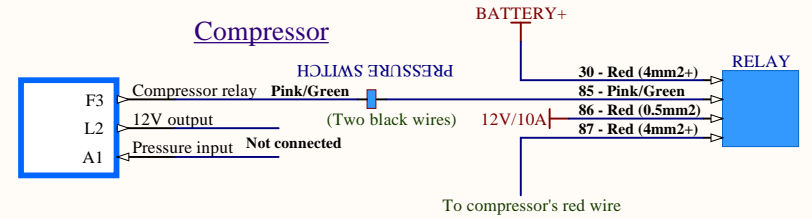
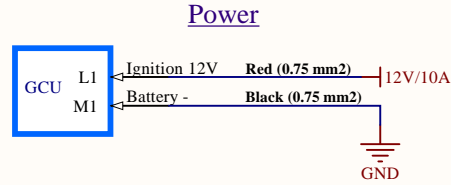
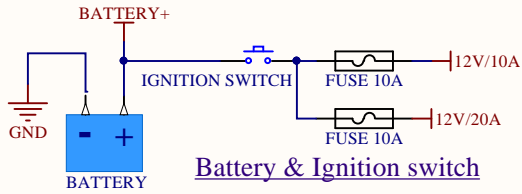


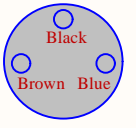
Steering wheel controller + throttle body controller + brake/clutch controller



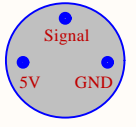
All drive-by-wire throttle pedals have two potentiometers to read throttle position (TPS1 and TPS2).
Cut the signal wire that goes from Pedal to the ECU, then connect:
- Wire that is connected to the pedal, to TPS IN
- Wire that is connected to the ECU to TPS OUT
Do this for TPS1 and TPS2 separately.

Connector at TBC2: ATM04-12PA
Mates with Amphenol ATM06-12SA (Mating pins: AT62-20-0122)

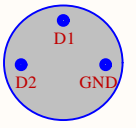
M8 cable - looking at the female pins



Analog connector (looking at male pins)



Digital connector (looking at male pins)



Hand Controls - HCU3 wiring

Revision date: 2018-08-20 Author: M.M.

MME Motorsport
www.mme-motorsport.com