

1

2

3

4

A

A

B

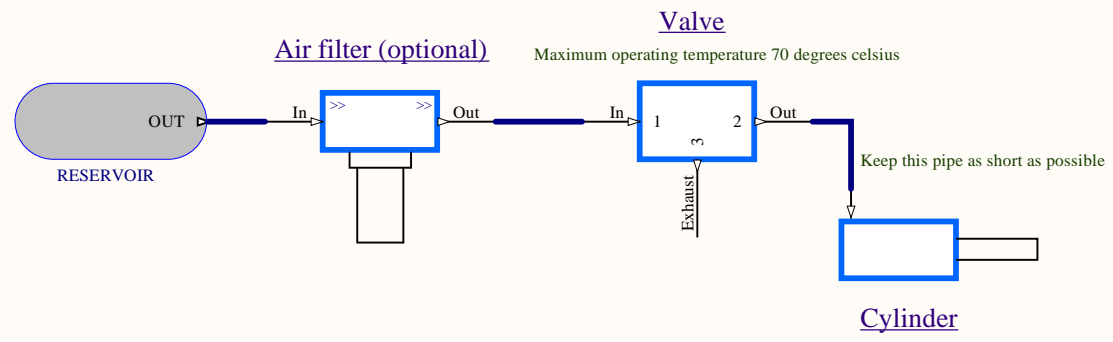
B

C

C

D

D



Hand Controls - Pneumatics		MME Motorsport www.mme-motorsport.com
Revision date: 2017-11-17	Author: M.M.	

1

2

3

4