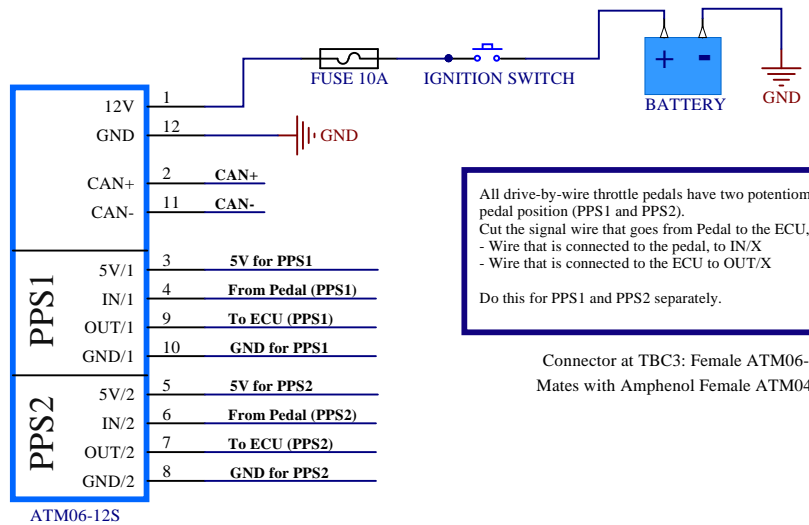


TBC3

MME Throttle Body Controller 3



All drive-by-wire throttle pedals have two potentiometers to read pedal position (PPS1 and PPS2).
 Cut the signal wire that goes from Pedal to the ECU, then connect:
 - Wire that is connected to the pedal, to IN/X
 - Wire that is connected to the ECU to OUT/X
 Do this for PPS1 and PPS2 separately.

Connector at TBC3: Female ATM06-12S
 Mates with Amphenol Female ATM04-12PA

Error codes (number of LED blinks):

- LED ON - NO ERRORS
- 1 BLINK - PPS1 BELOW MIN VALUE
 - 2 BLINKS - PPS1 ABOVE MAX VALUE
 - 3 BLINKS - PPS2 BELOW MIN VALUE
 - 4 BLINKS - PPS2 ABOVE MAX VALUE
 - 5 BLINKS - PPS1/PPS2 DIFFERENCE TOO HIGH
 - 6 BLINKS - PPS1 MIN/MAX VALUE INCORRECT
 - 7 BLINKS - PPS2 MIN/MAX VALUE INCORRECT
 - 8 BLINKS - HCU NOT RESPONDING

PPS1 and PPS2 are digitally isolated so they both need 5V and GND to operate. 5V/1 and GND/1 are not connected internally to 5V/2 and GND/2