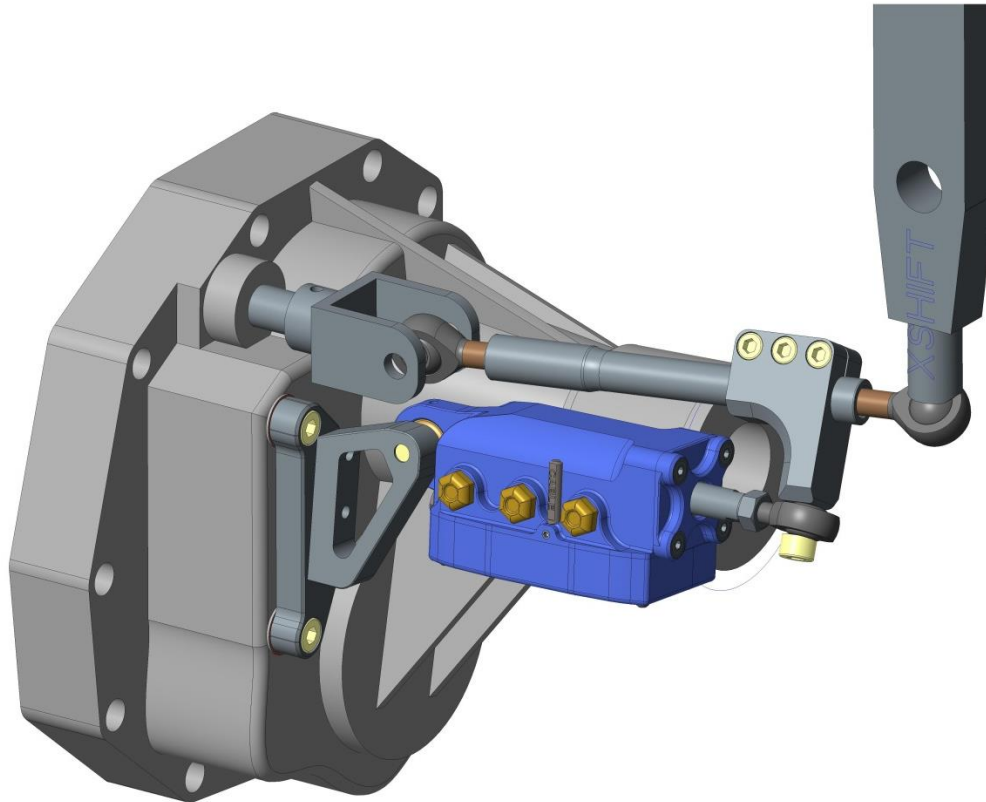


X-Shift Subaru Mounting Kit



Features

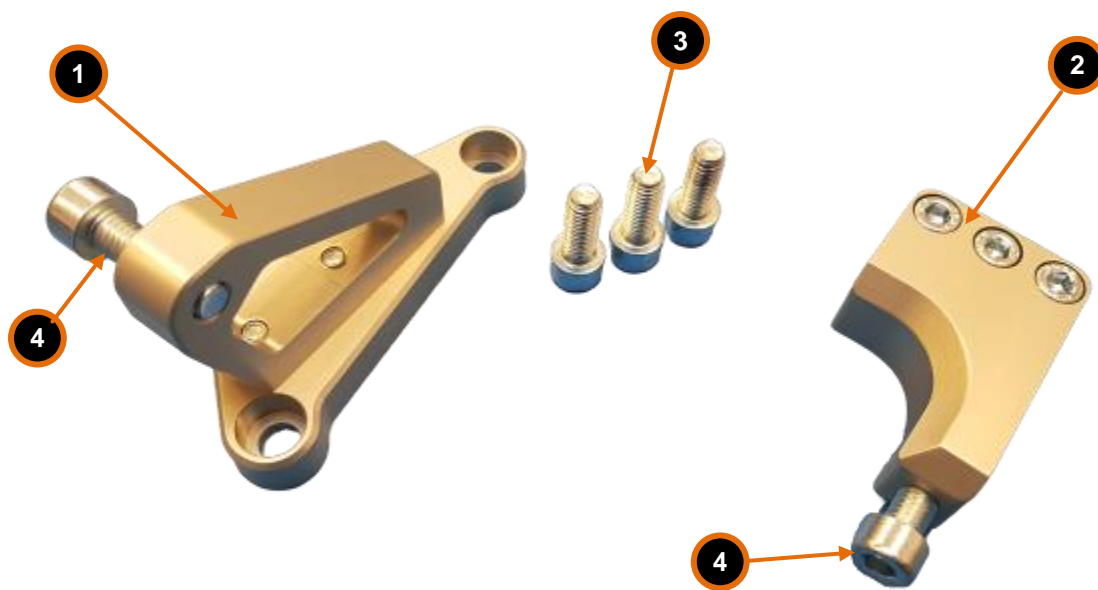
- Suitable for X Shift Subaru sequential gearboxes.
- Very light
- Aircraft grade aluminium

Technical specifications

Weight	490 g
Operating temperature	-20 ... 80°C

Included in the kit

- ① Aluminum gearbox holder
- ② Aluminum selector rod holder
- ③ Three bolts M8 length 20 mm
- ④ Two bolts M8 length 25 mm

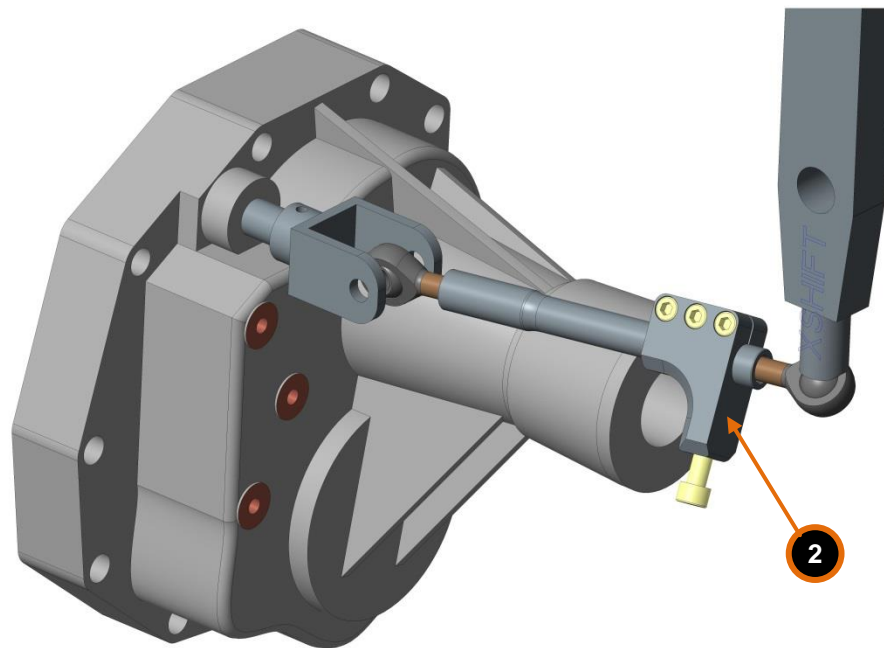


Assembling

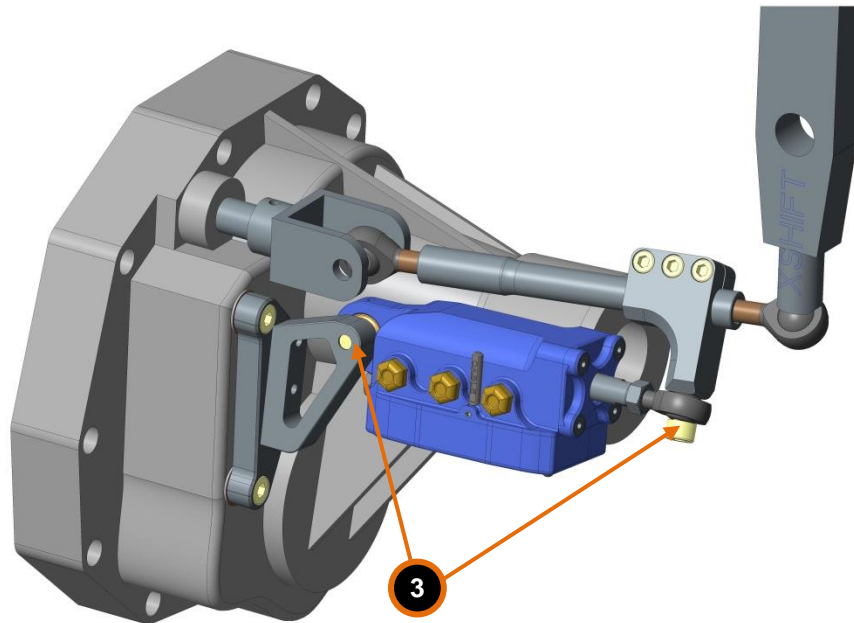
1. Mount the gearbox holder ① to the gear actuator



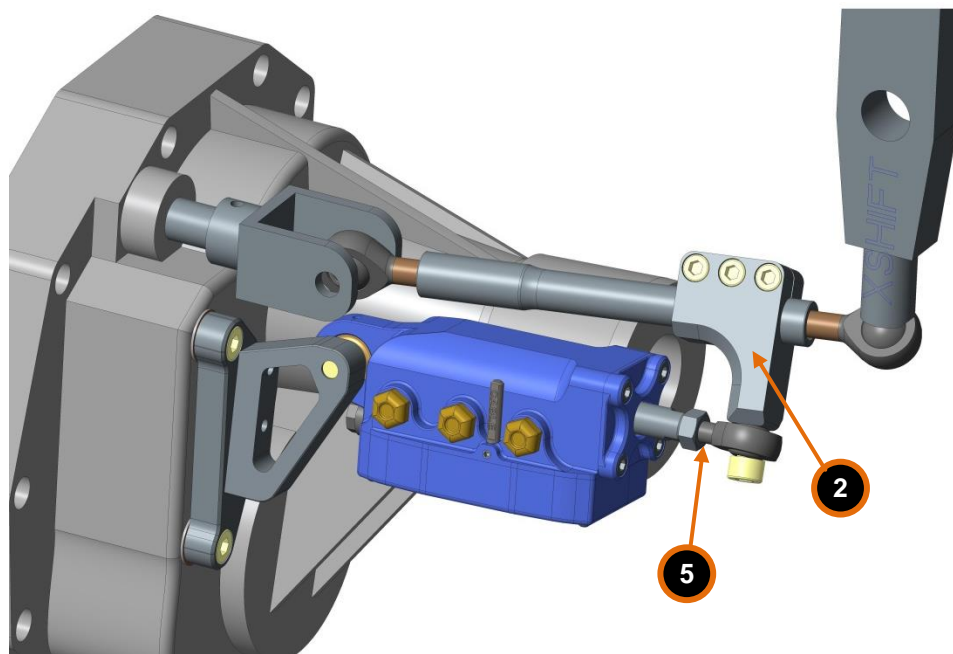
2. Mount the selector rod holder ② to the selector rod, connected to the X Shift gear liver. To insert selector rod holder the rod end must be dismantled



3. Mount the actuator with the gearbox holder to the gearbox. Use three bolts M8 length 20 mm ③



4. Check the stroke of the actuator. . Stroke of actuator must be adjusted to 20mm (spacer attached in actuator kit, see manuals for actuator). Set the middle position of the shifting arm by adjusting the rod end ⑤ or moving the gear liver holder ②.



5. Connect the air-line and wiring.