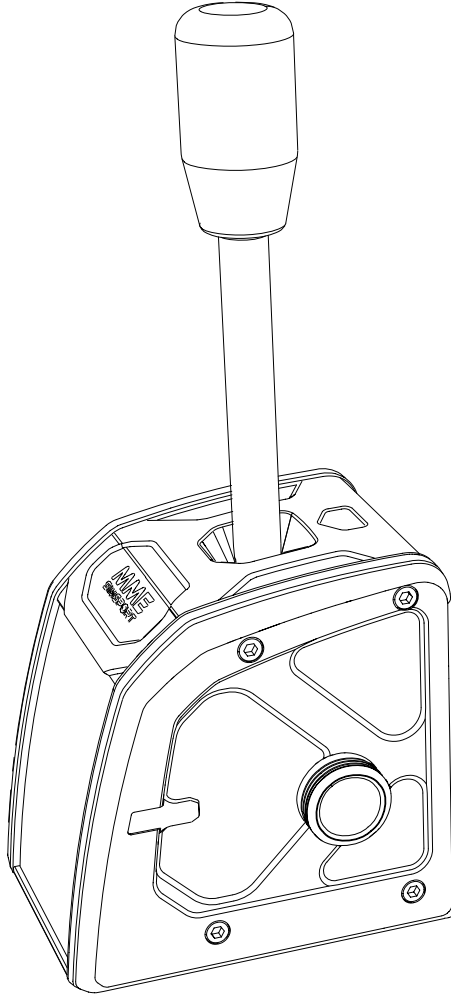
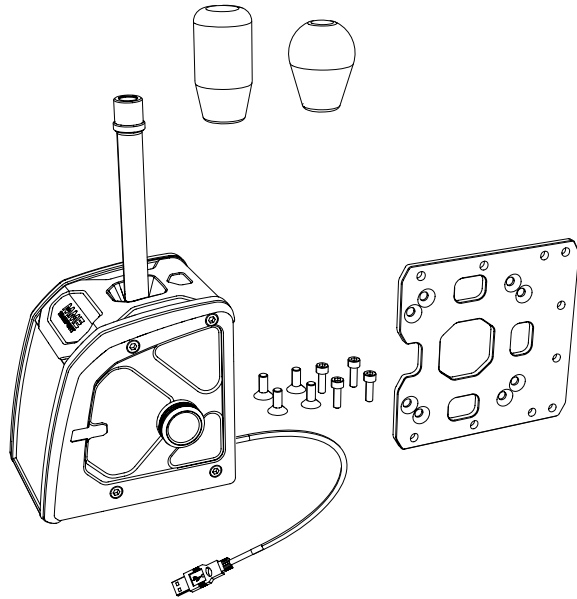


H+SEQ·SHIFTER

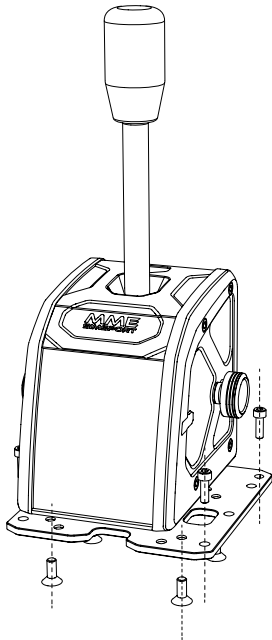


QUICK GUIDE

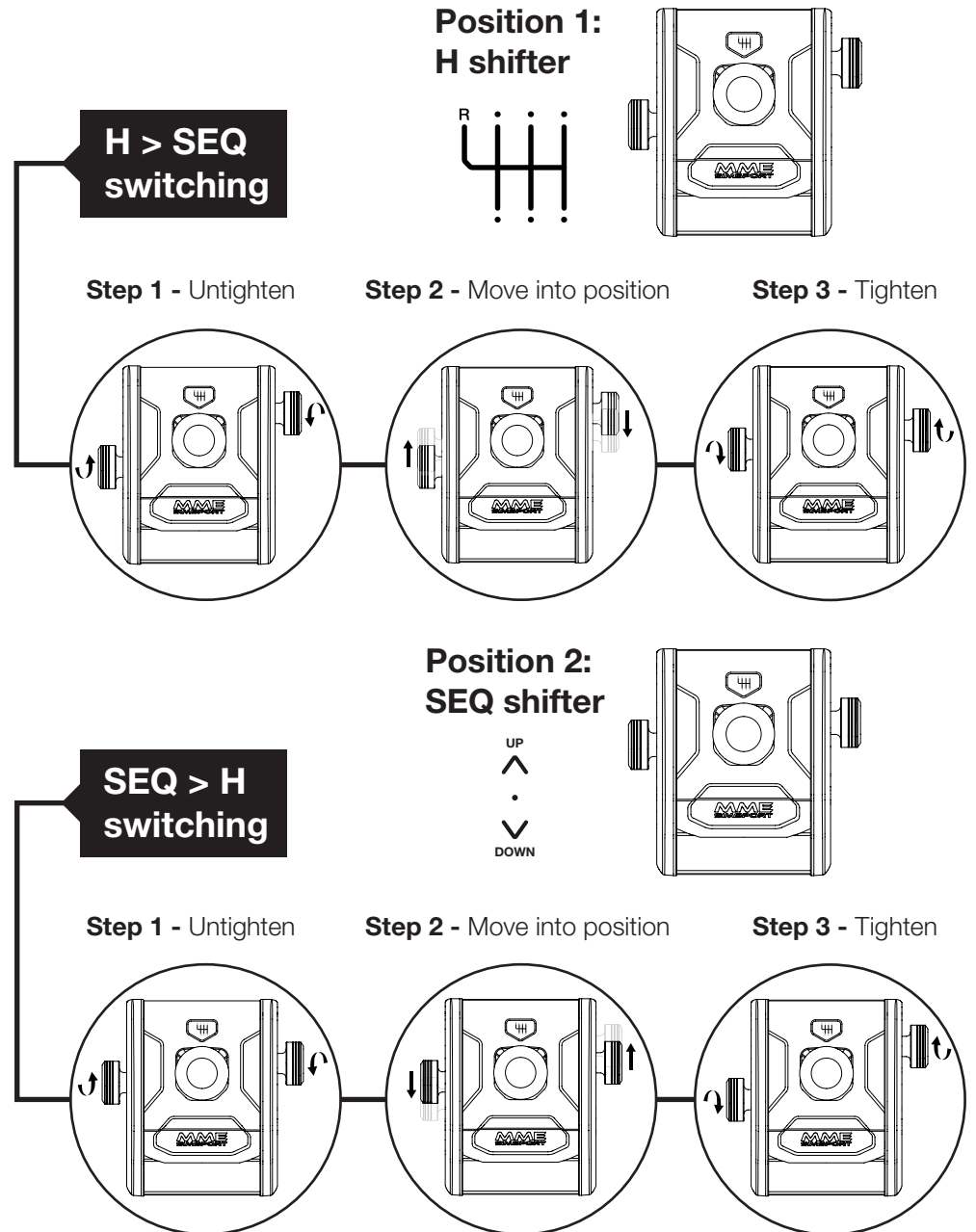
1. Package content



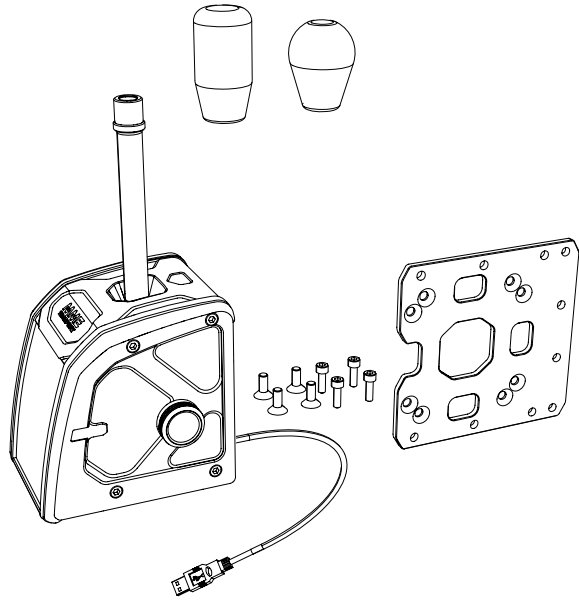
2. Mounting



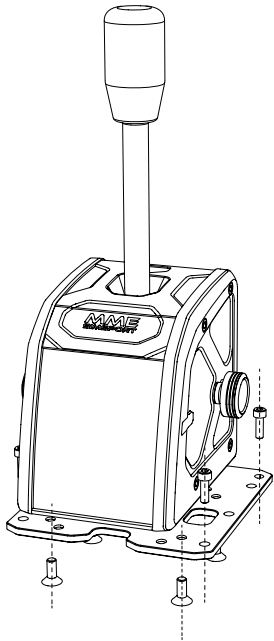
3. Switching between H and SEQ (sequential) shifter



1. Package content

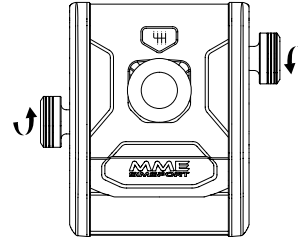


2. Mounting

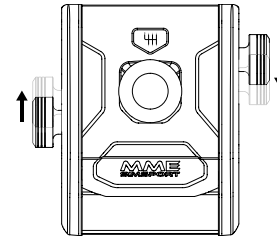


3. Switching between H and SEQ (sequential) shifter

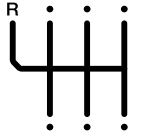
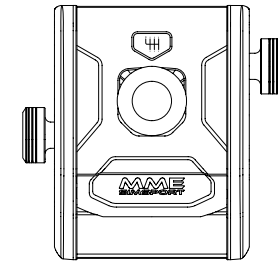
Step 1 - Untighten



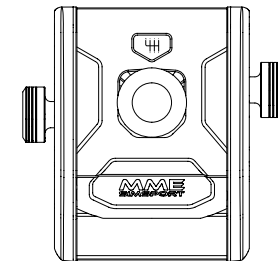
Step 2 - Move into position



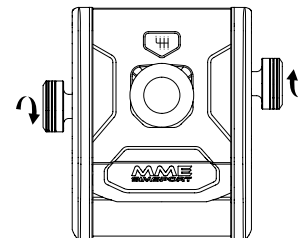
Position 1:
H shifter



Position 2:
SEQ shifter



Step 3 - Tighten





Gearbox
shifting
technology

MME motorsport ltd.

Dobračevska 55
4226 Žiri
Slovenia

www.mme-motorsport.com/en/