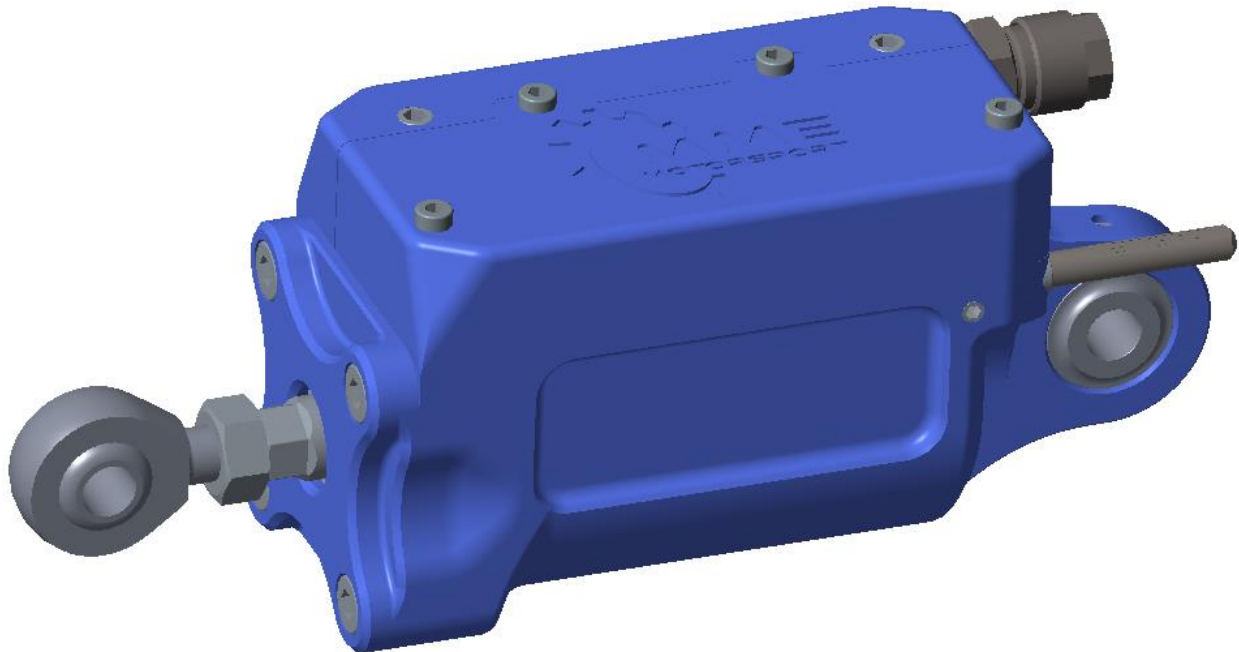


Gearbox Actuator With Integrated Valves



Features

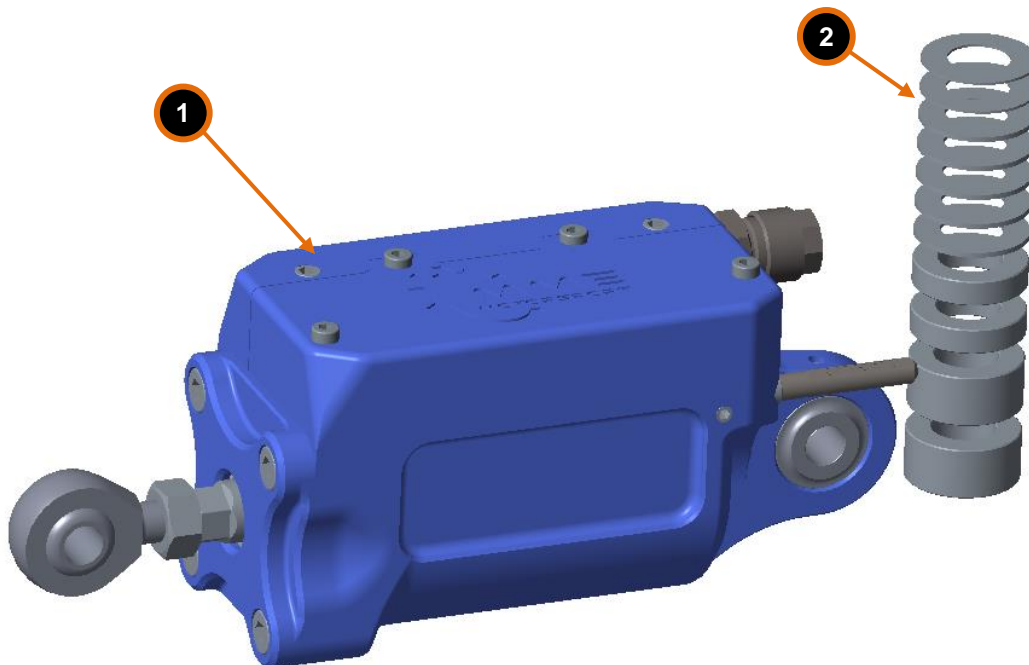
- Powered by MME's Hypervelocity valves (Flow 900NI/min @ 8 bars)
- Two way actuator (max +25mm / -25mm) with integrated valves
- No need for extra valve block
- Fully adjustable (washers included in the kit). Stroke adjustable from 12 to 50 mm
- Very compact (measures only 150mm + stroke)
- Very light (only weights 750 g)
- 1005 N push and 915 pull force @ 8 bars

Technical specifications

Dimensions L x W x H	177 x 57 x 65 mm		
Weight	750 g		
Operating temperature	-20 ... 80°C		
Operating pressure	6 ... 9 Bar		
Voltage	12 V		
Valve coil resistance	25 ohm		
Stroke	50 mm		
	adjustable from 12 to 50 mm		
Operating force	Pressure[Bar]	Push [N]	Pull [N]
	6	750	685
	7	880	800
	8	1005	915
	9	1130	1030
Pneumatic fitting	Pneumatic tube 8/6 mm		

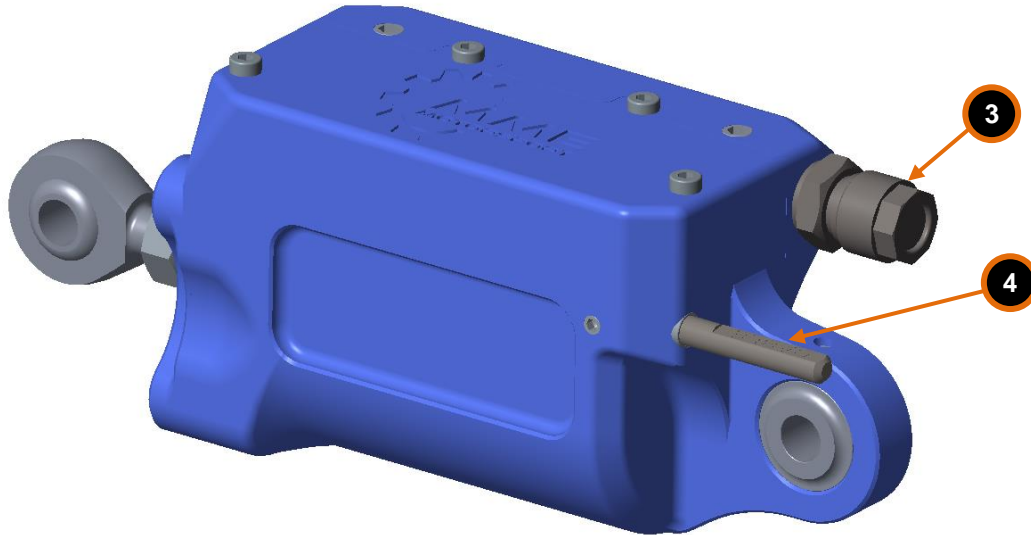
Included in the kit

- ① Gearbox actuator with integrated valves
- ② Washers for stroke adjustment
 Connector with pins
 90deg pneumatic fitting



Connection Diagram

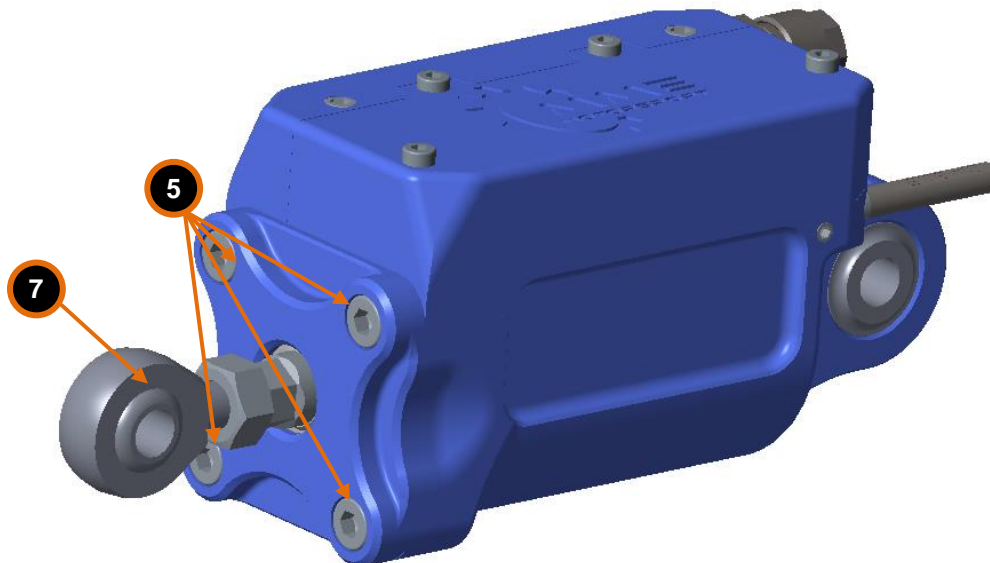
- ③ Air supply (Ø 8 mm pneumatic pipe). Swap fitting and plug if needed
- ④ Electrical cable with connector



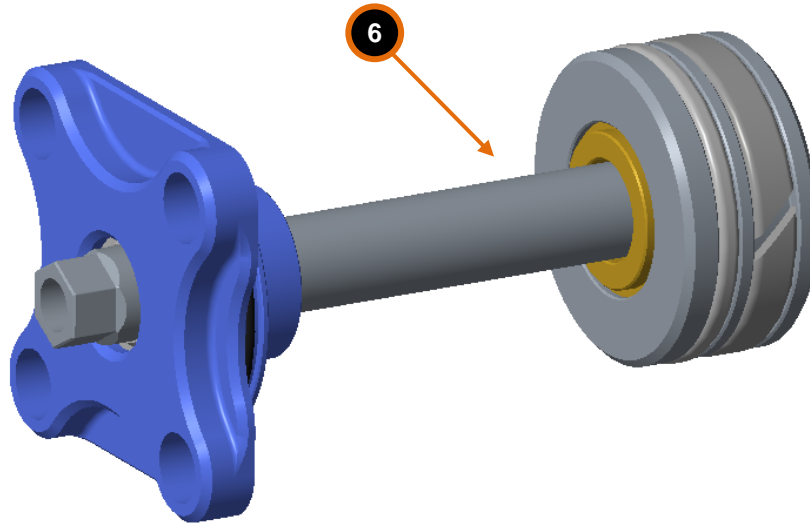
Adjusting the travel

Travel is adjusted by adding or removing washers inside the cylinder. Cylinder has 50 mm stroke without washers (+25mm / - 25mm), by adding 10mm washer you reduce stroke to 40 mm.

1. Measure the stroke of the actuator and the stroke you need.
2. Unscrew the bolts ⑤ and pull out the with the actuator piston.



- Remove the rod end ⑦ from the piston rod and pull out the piston rod from the cover. Insert the washer set on the piston rod ⑥ and insert cover back to the piston.



- Insert the piston with the cover back to the actuator and screw bolt back in place. Watch the seals and take care of lubrication when assembling the actuator back (see servicing below)

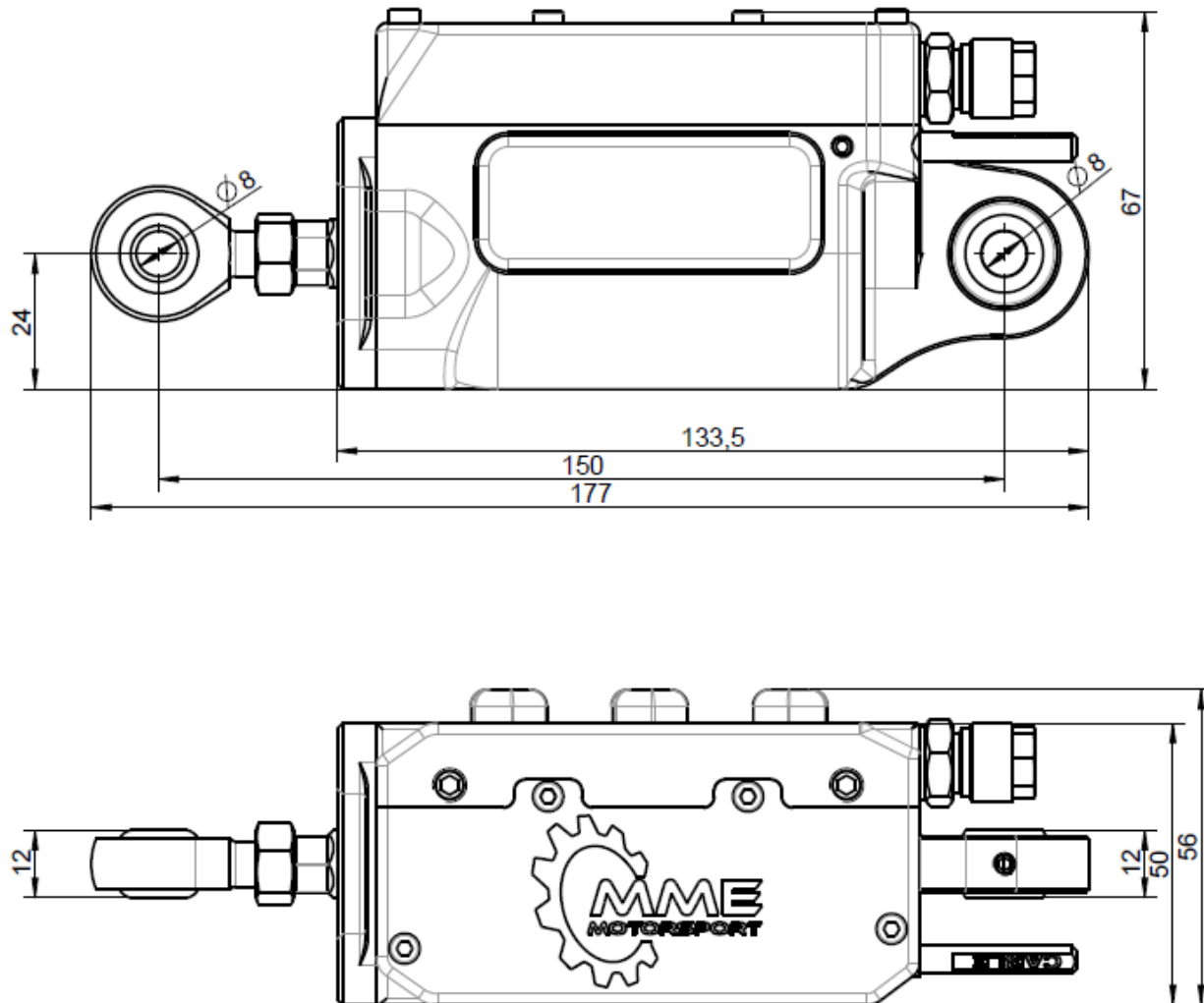
Electrical diagram

Actuator is shipped with cable and pre-crimped epoxy glued 4 pin connector ATM04-4S. Mating connector is ATM04-4P or DTM04-4P. Mating pins are AT60-202-20141 or AT60-20-0122. AWM-4P 4-Way Wedgelock is also included.

Connector pinout

1	12V
2	OUT
3	IN
4	Not used

Technical drawing



Servicing

If there's any damage to the rod at any time, we recommend replacing the actuator.

Yearly inspection:

- Disassemble the actuator
- Check for any damage to the inside or outside of the actuator
- With piston rod removed, clean the inside and outside of the actuator with gasoline (Do not use Nitroglycerin).
- Seals, bushing and internal cylinder bore should be lubricated with high temperature grease.