

Universal Steering Wheel Shift Paddles



Features

- Very light (only weights 260 g - including the mounting plate)
- Magnetically assisted
- Can be mounted individually to any steering wheel
- Mounting plates for flat, 65mm and 95mm dished steering wheels available (6 hole)
- Aircraft grade aluminium
- Waterproof
- IP68 rated

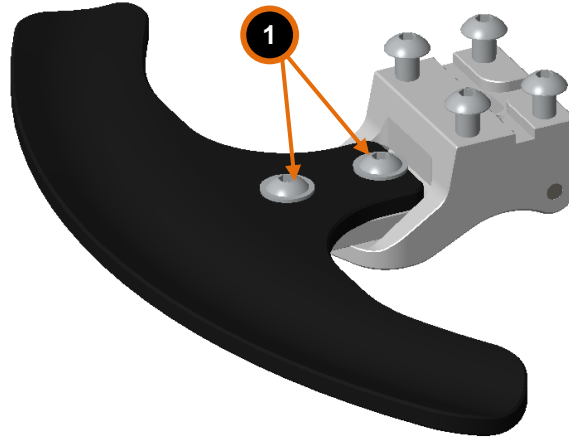
Technical specifications

Dimensions L x W x H	350x 150 x 20 mm
Weight	260 g
Operating temperature	-20 ... 80°C

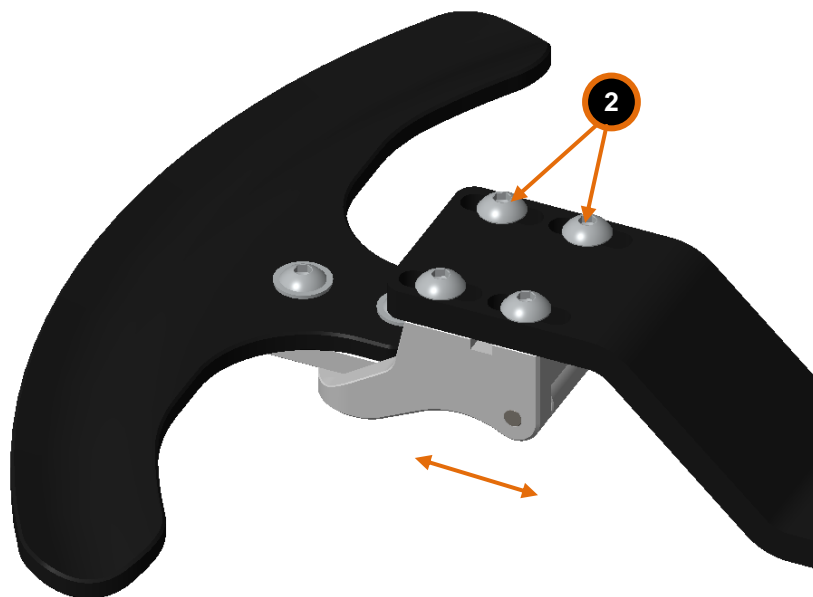
Assembling

You received 2 shift blocks, 2 carbon paddles and a mounting plate.

1. Mount your carbon paddles to the shift block. Use bolts ① you received attached to the shift block. Please refer to “General Service/Mounting Rules”.



2. Mount both shift blocks to the mounting plate. Use bolts ② you received attached to the shift block. You can adjust the position of the shift paddle by moving it in the slot. Please note that there are left and right shift blocks. Please refer to “General Service/Mounting Rules”.



3. Mounting the sub plates (330 and 350 mm steering wheel)

- a) Flat steering wheel: use dished mounting plate



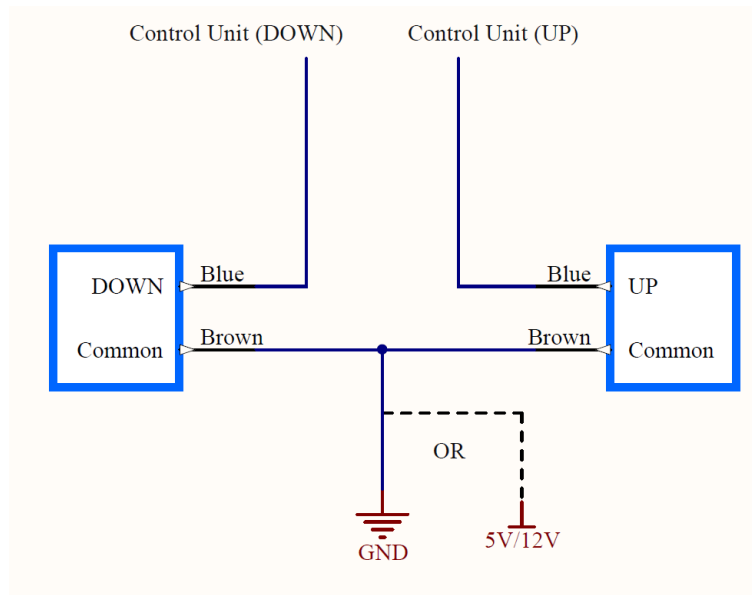
- b) 65mm dished steering wheel: use flat mounting plate



- c) 95mm dished steering wheel: use dished mounting plate



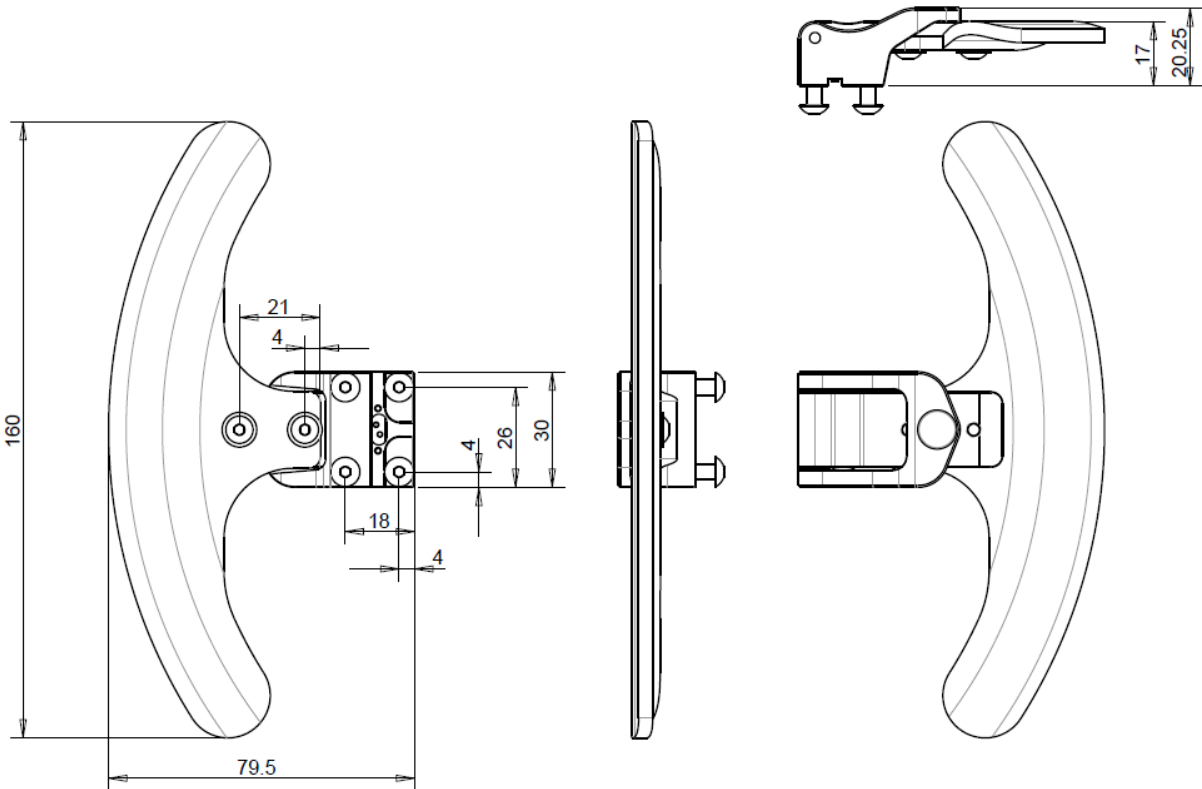
Wiring diagram



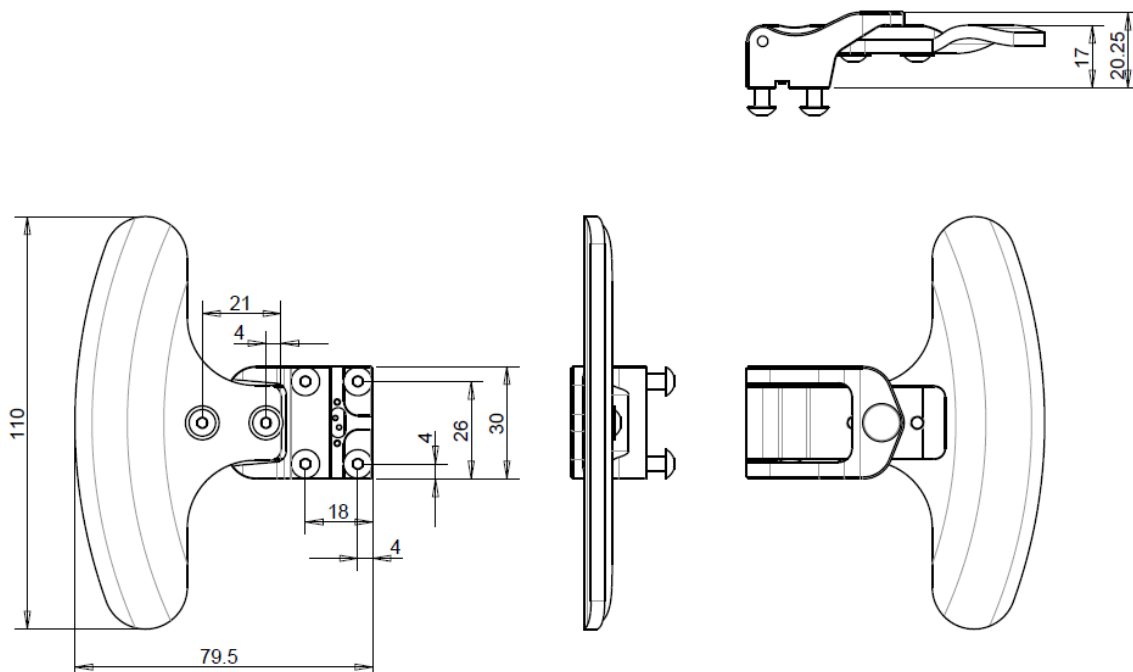
Please note: all latest paddles come with 2 wires (all black) so it does not matter which colors you connect.

Technical drawing

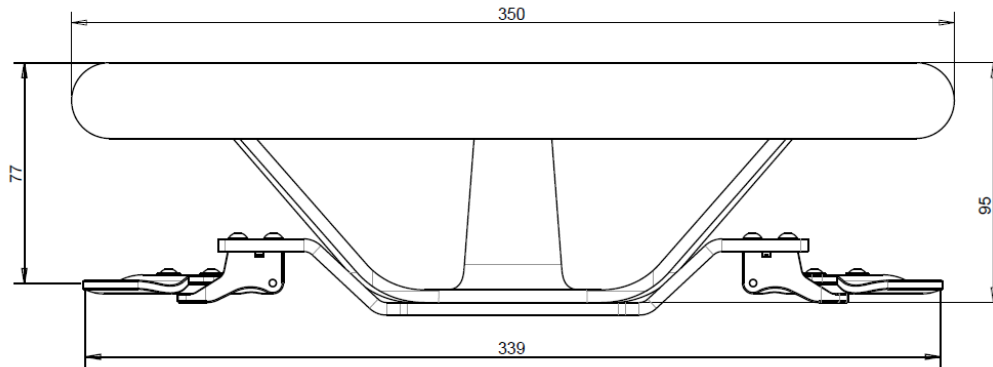
- shift paddles with large paddle



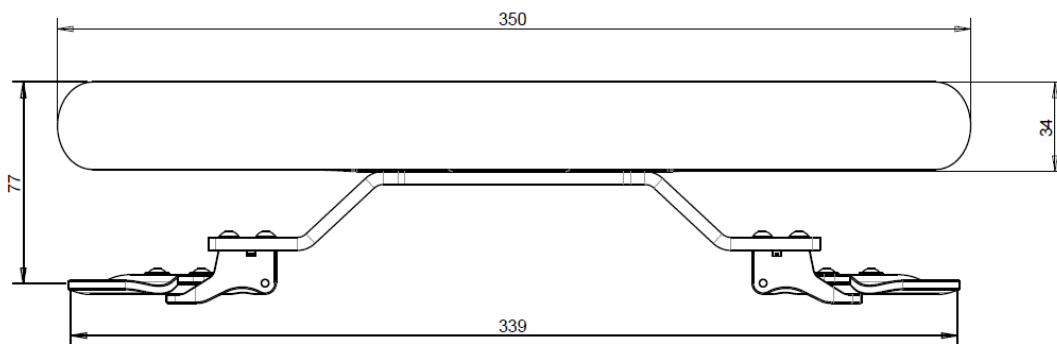
- shift paddles with small paddle



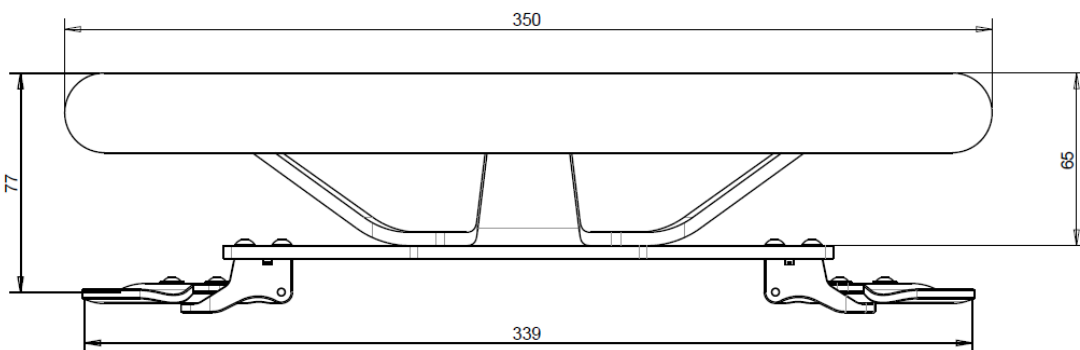
- shift paddle for 95 mm dished 350 mm steering wheel



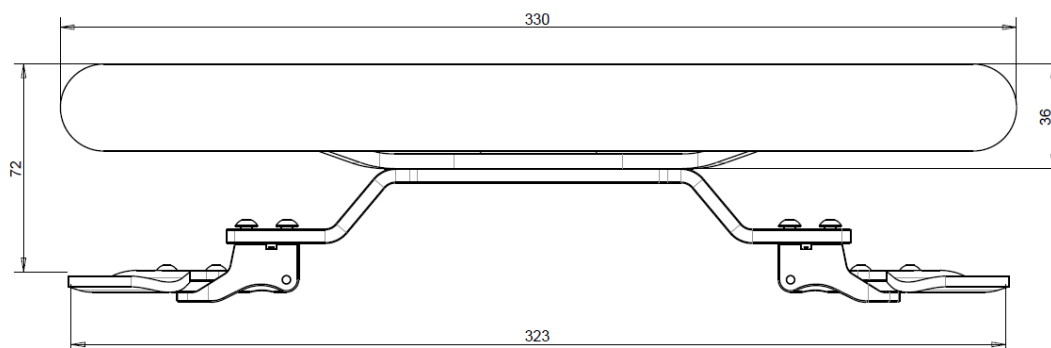
- shift paddle for flat 350 mm steering wheel



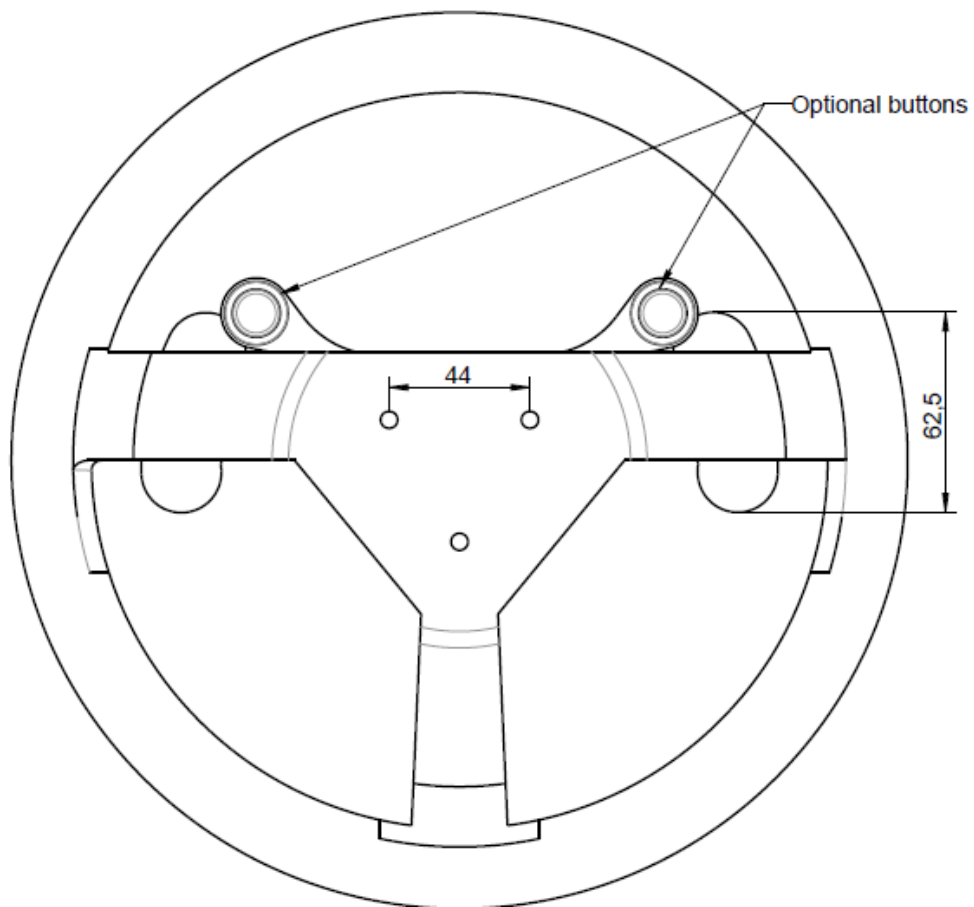
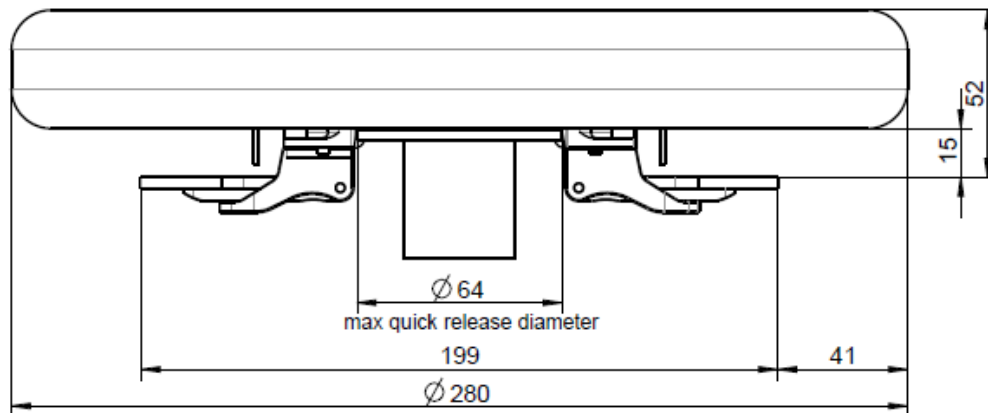
- shift paddle for 65 mm dished 350 mm steering wheel



- shift paddle for flat 330 mm steering wheel



- shift paddle for flat 280 mm steering wheel with 3 mounting holes



Ordering

- **SP-02-KIT-2A** - 2x Shift Paddles (left and right) for flat or 95mm dished 350mm steering wheel (dished plate)
- **SP-02-KIT-2A-280** - 2x Shift Paddles (left and right) for flat 300mm steering wheel (3 holes) without buttons
- **SP-02-KIT-2A-280-BTN** - 2x Shift Paddles (left and right) for flat 300mm steering wheel (3 holes) with buttons
- **SP-02-KIT-2A-330** - 2x Shift Paddles (left and right) for flat 330mm steering wheel (dished plate)
- **SP-02-KIT-2B** - 2x Shift Paddles (left and right) for 65mm dished 350 mm steering wheel (flat plate)
- **SP-02-KIT-2-S** - 2x Shift Paddles (left and right) without plate, small paddle
- **SP-02-KIT-2-L** - 2x Shift Paddles (left and right) without plate, large paddle