

## Single Shift Paddle WRC Style



### Features

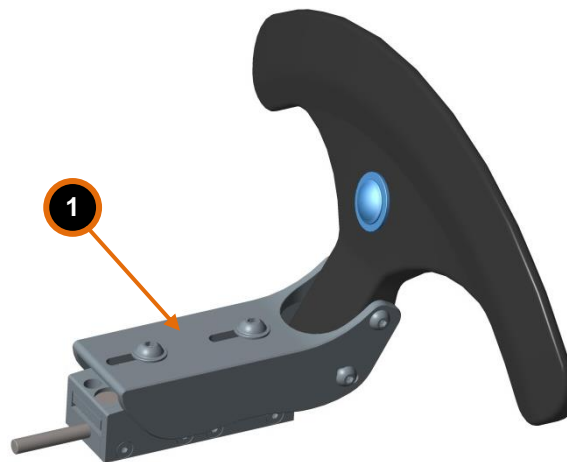
- WRC style (push/pull)
- Very light (only weights 360 g)
- Magnetically assisted
- One extra button
- Can be mounted individually to any steering wheel
- Aircraft grade aluminium and durable plastic
- IP68 rated

## Technical specifications

Dimensions L x W x H	220 x 119 x 116 mm
Weight	360 g
Operating temperature	-20 ... 80°C

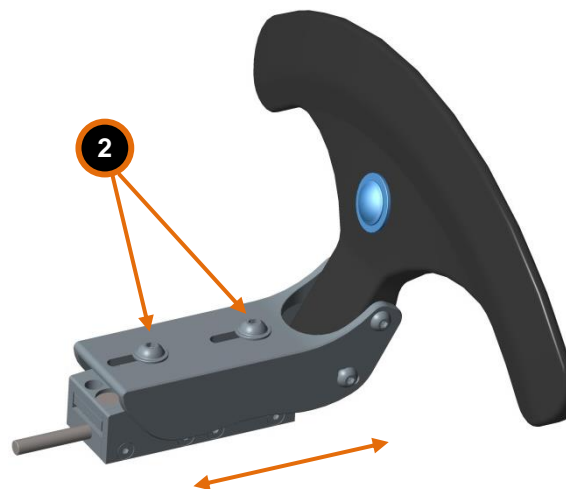
## Included in the kit

- ① Single shift paddle  
Connector

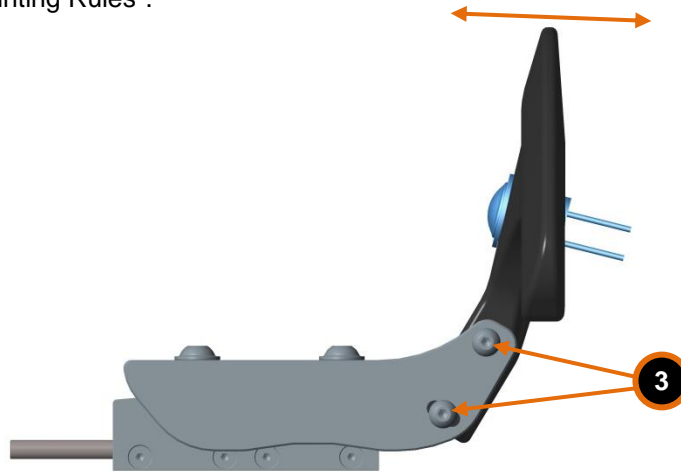


## Assembling

1. Untighten marked bolts ② and adjust the paddle. Please refer to “General Service/Mounting Rules”.



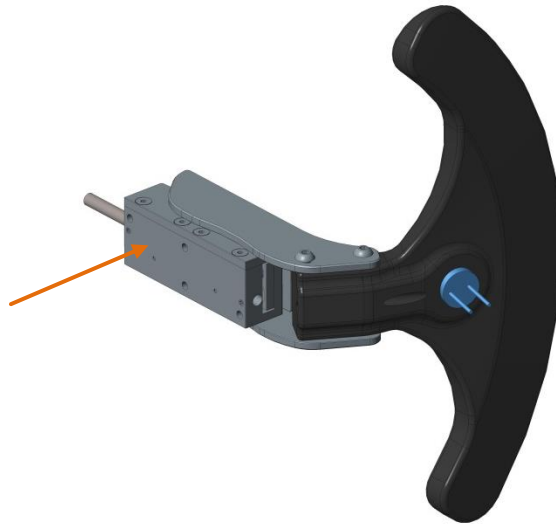
2. Untighten 4 marked bolts ③ on both side of paddle and rotate the paddle. Please refer to “General Service/Mounting Rules”.



Shift paddle mounting example



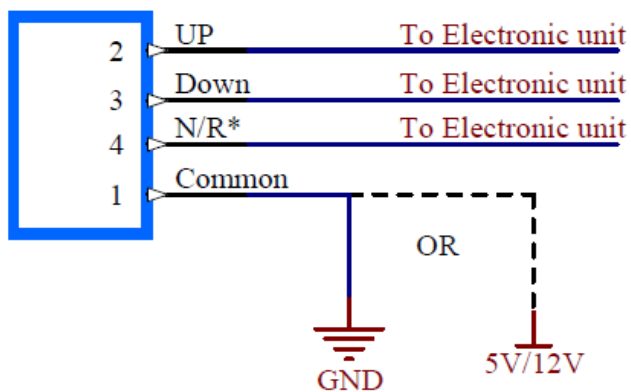
Shift paddle mounting surface with holes for mounting (for dimensions see technical drawing).



## Wiring diagram

Connector at SP-03: AT06-4S (female)

Mates with Amphenol AT06-4P (male). Mating male pins: AT60-20-0122



Notes:

N/R\* stands for Neutral/Reverse, but it can be used for any purpose

## Technical drawing

