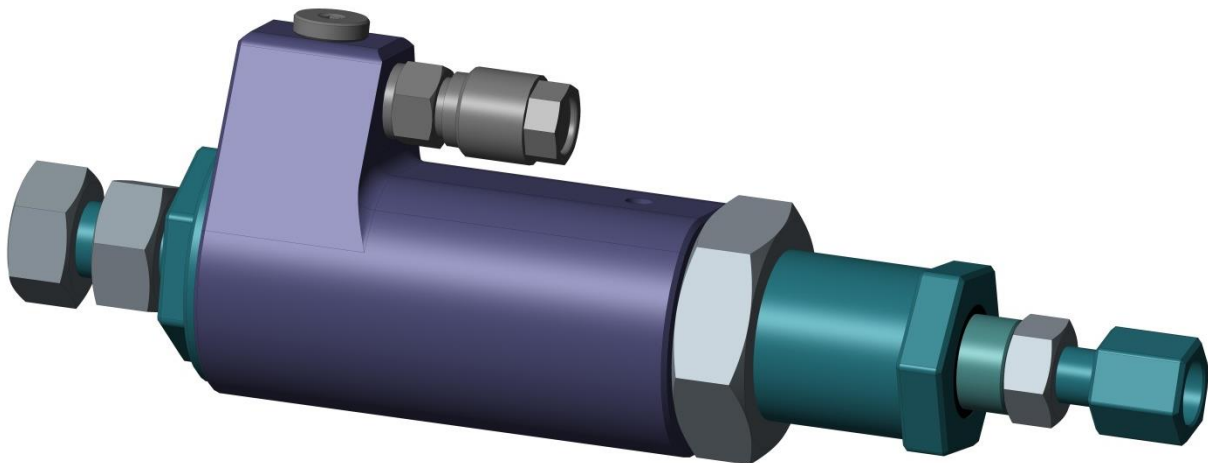


Inline Throttle Blip Actuator



Features

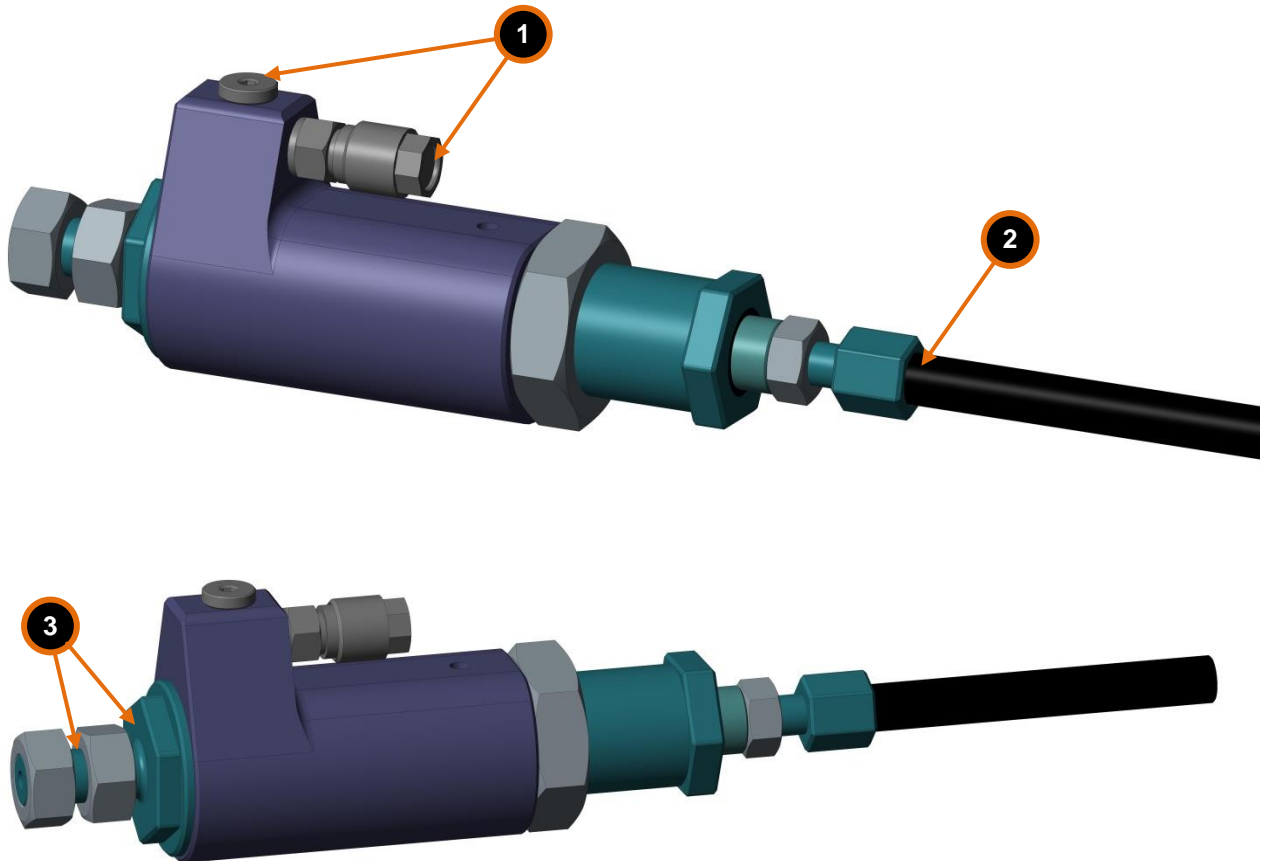
- Inline Pull-Type pneumatically operated cable blip actuator
- Fully adjustable stroke from 5 to 20 mm
- Very light (only weights 250 g)
- Easily mountable

Technical specifications

Dimensions L x W x H	130 x 28 x 40 mm	
Weight	250 g	
Operating temperature	-20 ... 80°C	
Operating pressure	6 ... 9 Bar	
Stroke	20 mm	
	adjustable from 5 to 20 mm	
Operating force [6 Bar]	Pull	210 N
Pneumatic fitting	Pneumatic tube 6/4 mm	

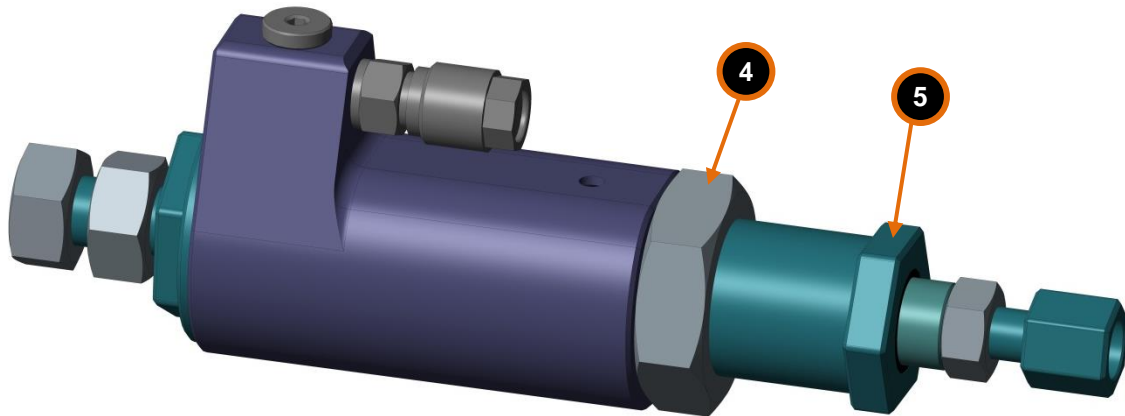
Connection Diagram

- ① Air supply. Swap the fitting and plug if needed.
- ② Throttle cable. Steel cable goes through actuator.
- ③ Mounting surface. (for dimensions see technical drawing).



Adjusting the travel

- Untighten nut ④ with 24mm spanner.
- Set the position by rotating the part ⑤ Unscrewing this part means more stroke, tightening means less stroke.
- When stroke is adjusted tighten back nut ④



Technical drawing

