

Throttle Blip Valve Block



Features

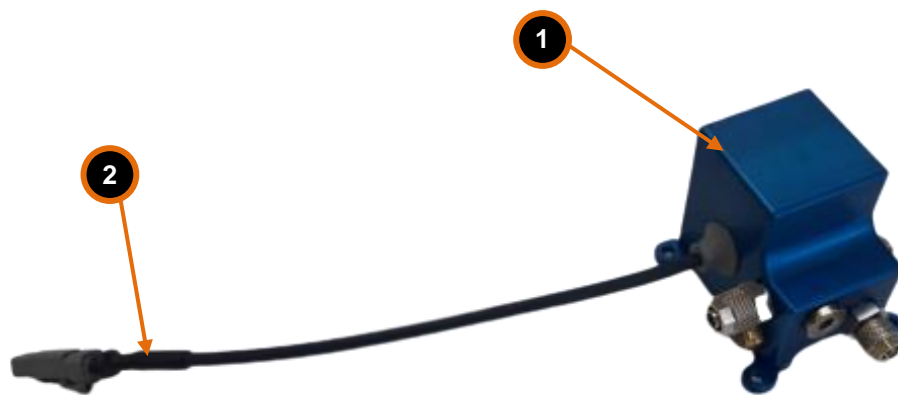
- Very light
- Aircraft grade aluminium
- 3 different air supply positions
- 1 output
- IP68 rated

Technical specifications

Dimensions L x W x H	62x 42x 62 mm
Weight	288 g
Operating temperature	-20 ... 80°C
Operating pressure	6-8 bar
Voltage	12V

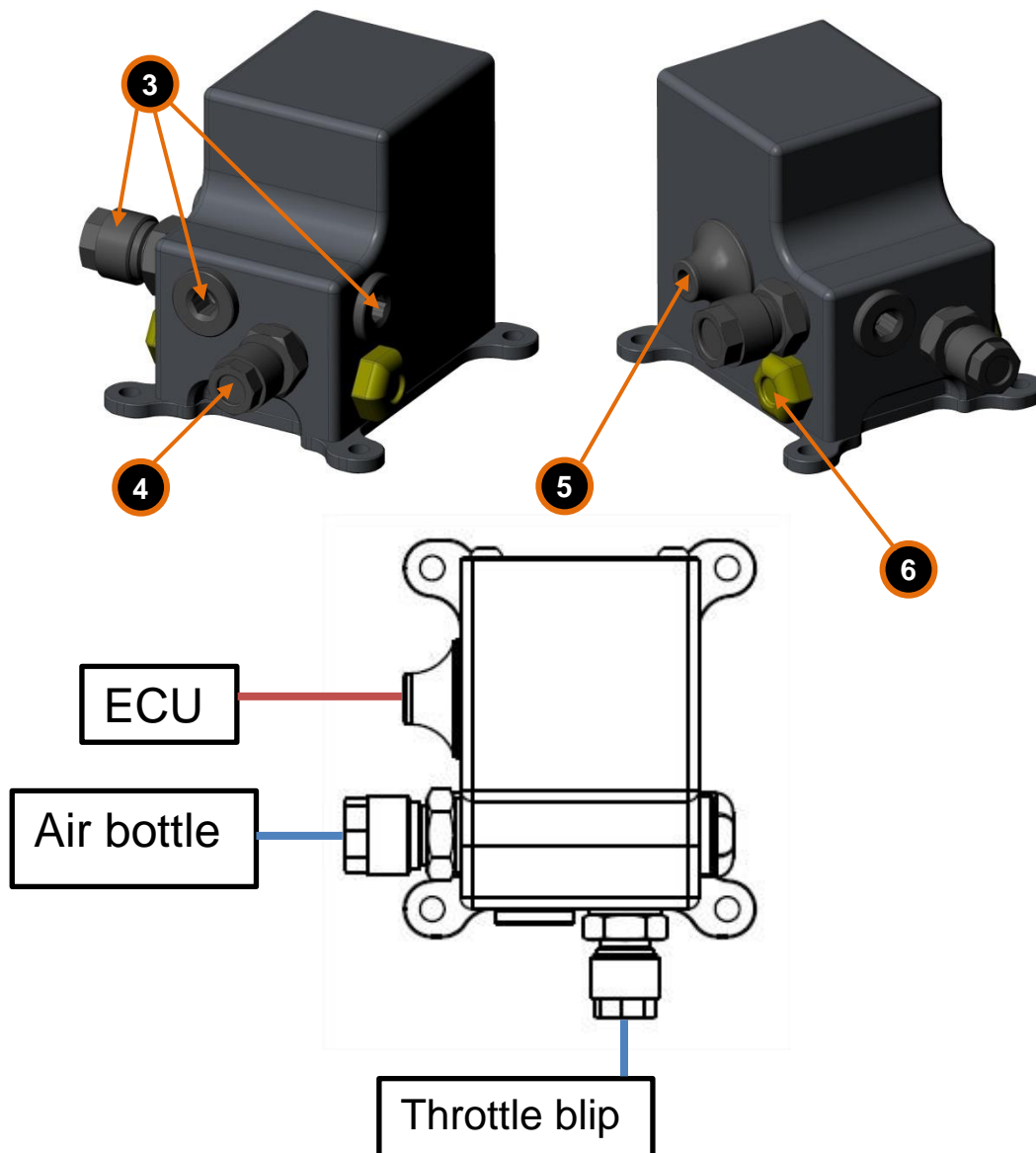
Included in the kit

- ① Valve block
- ② Electric cable with connector (male and female)



Connection Diagram

- ③ Air supply (Ø8 mm pneumatic pipe). Swap the fitting and plug if needed
- ④ Output (Ø 6 mm pneumatic pipe)
- ⑤ Electrical cable with connector (male and female)
- ⑥ Silencer

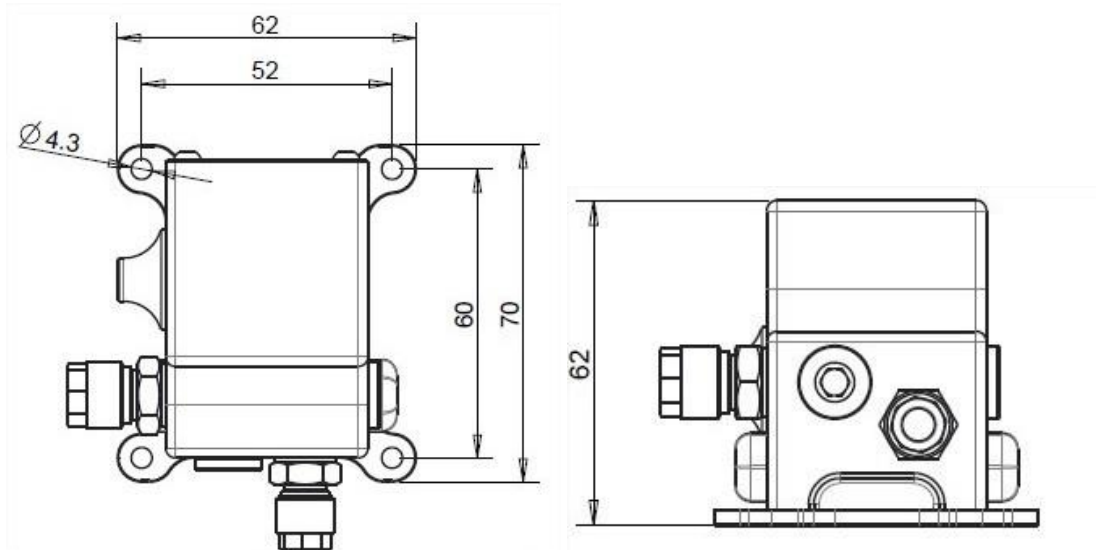


Electrical diagram

Connector pinout

1	12V
2	BLIP

Technical drawing



Servicing

Replace silencer on the valve once a year.