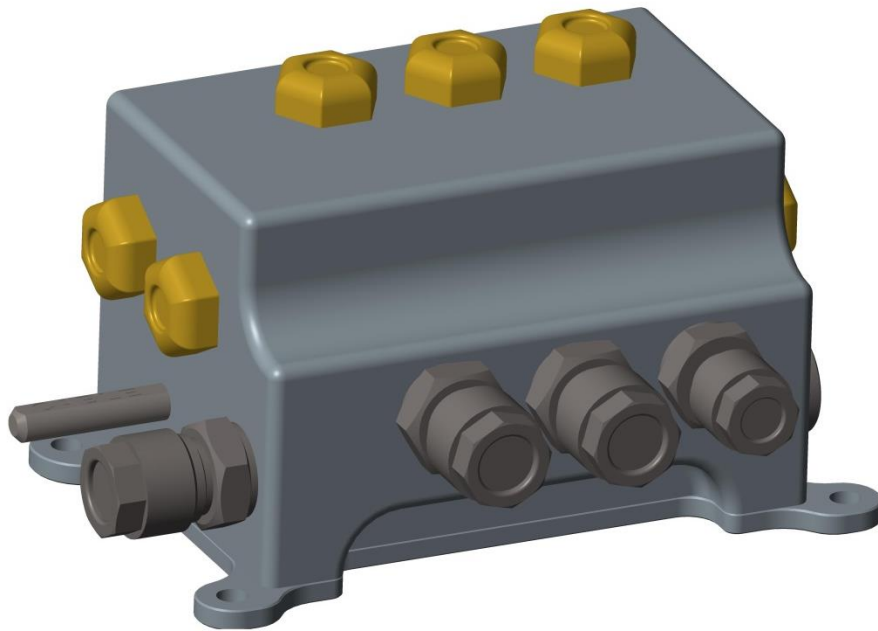


3 Way Valve Block



Features

- Powered by MME Hypervelocity valves (Flow 900NI/min @ 8 bars)
- Very light
- Aircraft grade aluminium
- 2 input mounting options
- 3 outputs
- IP68 rated

Technical specifications

Dimensions L x W x H	100 x 63 x 59 mm
Weight	480 g
Operating temperature	-20 ... 80°C
Operating pressure	6-8 bar
Voltage	12V
Valve coil resistance	25 ohm

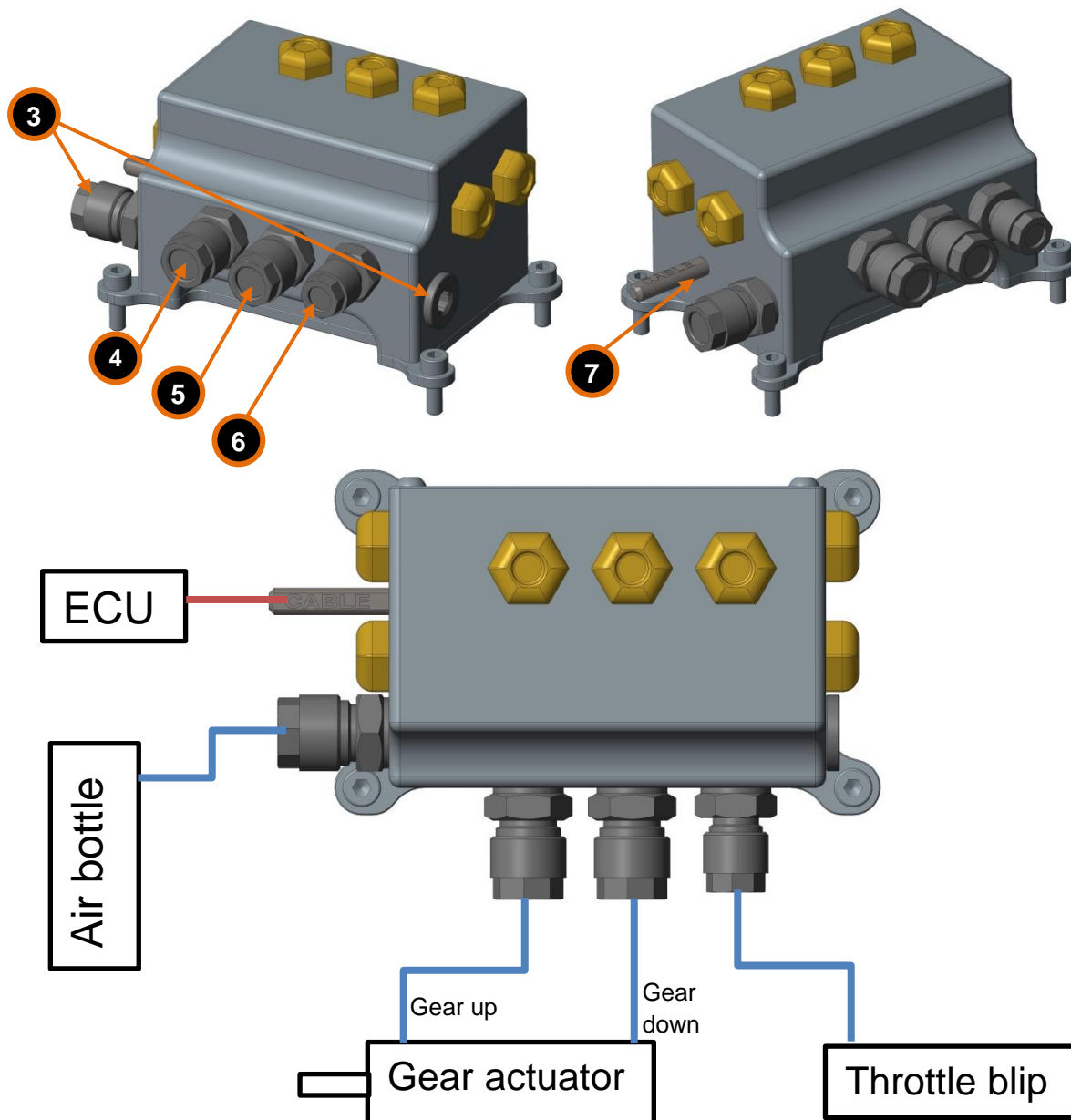
Included in the kit

- ① Valve block
- ② Electric cable with connector (male and female) and pins



Connection Diagram

- ③ Air supply (Ø8 mm pneumatic pipe). Swap the fitting and plug if needed.
- ④ Output (**gear up**) (Ø 8 mm pneumatic pipe) – keep the lines as short as possible (max 30cm from the actuator)
- ⑤ Output (**gear down**) (Ø 8 mm pneumatic pipe) - keep the lines as short as possible (max 30cm from the actuator)
- ⑥ Output to throttle blip (Ø 6 mm pneumatic pipe)
- ⑦ Electrical cable with connector

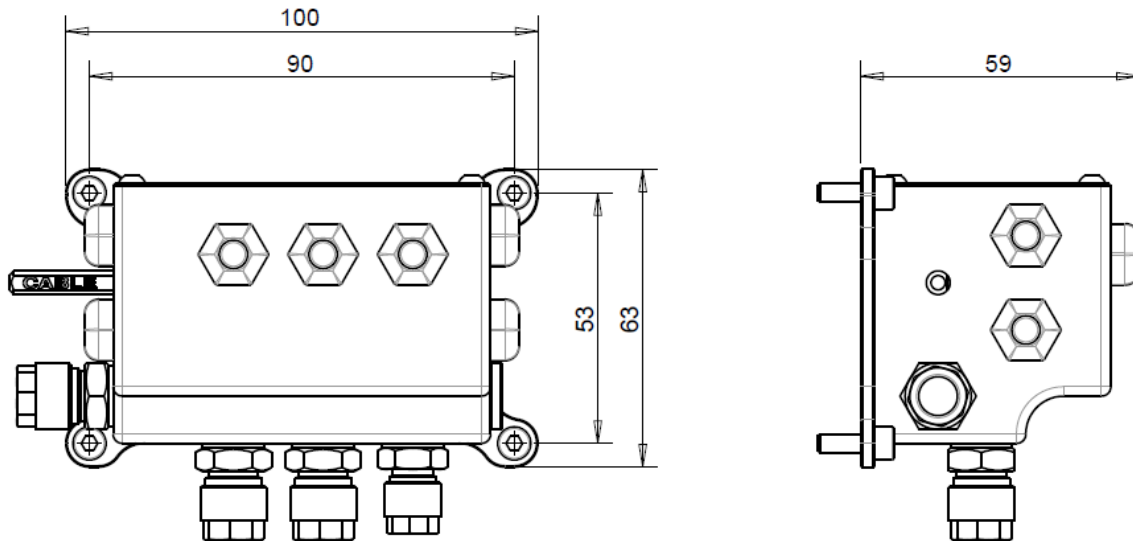


Electrical diagram

Connector pinout

1	12V
2	UP
3	DOWN
4	BLIP

Technical drawing



Servicing

Yearly inspection (or monthly in dusty environment):

- Change silencer