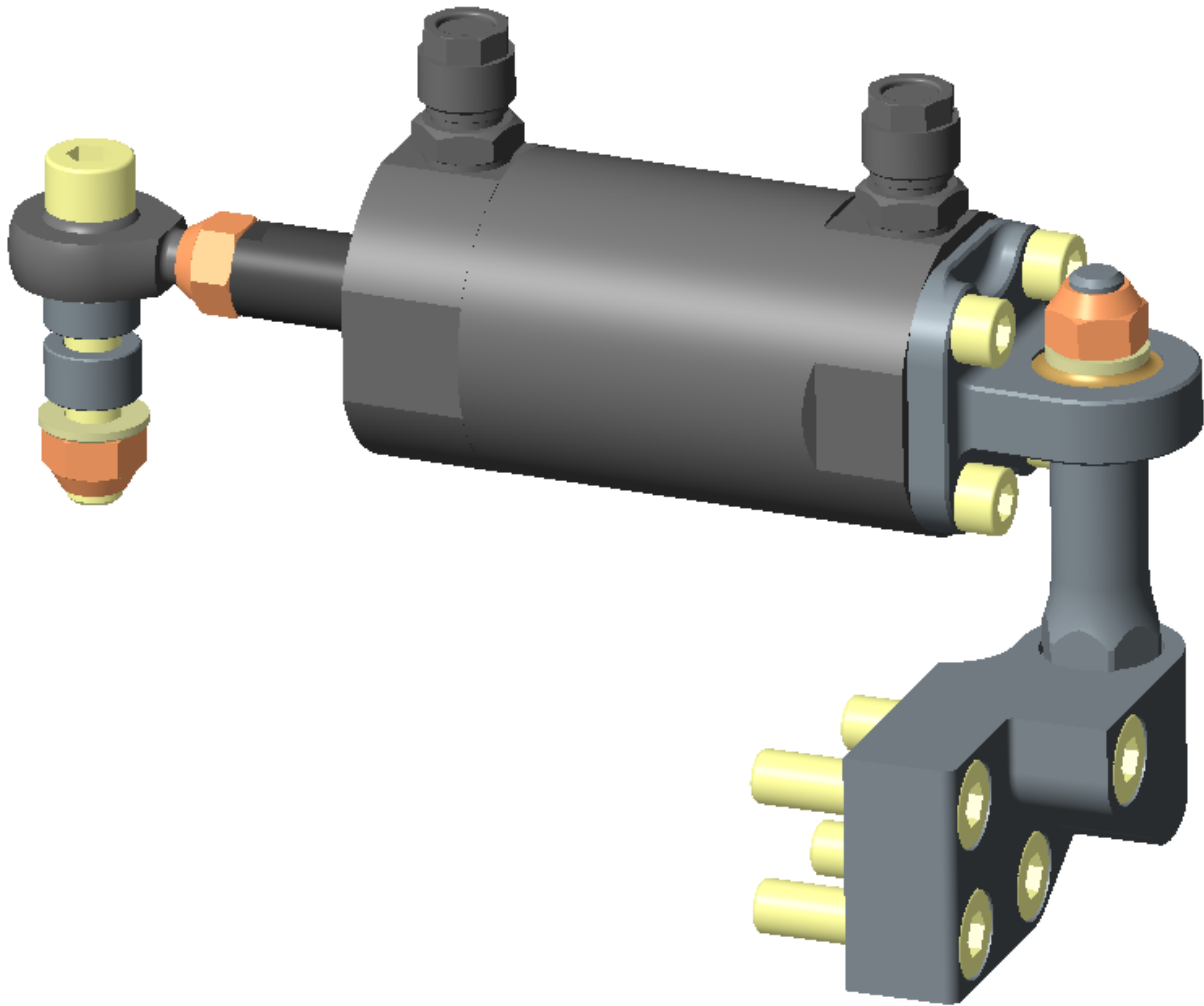


Beckert EVO FWD Sequential kit



Features

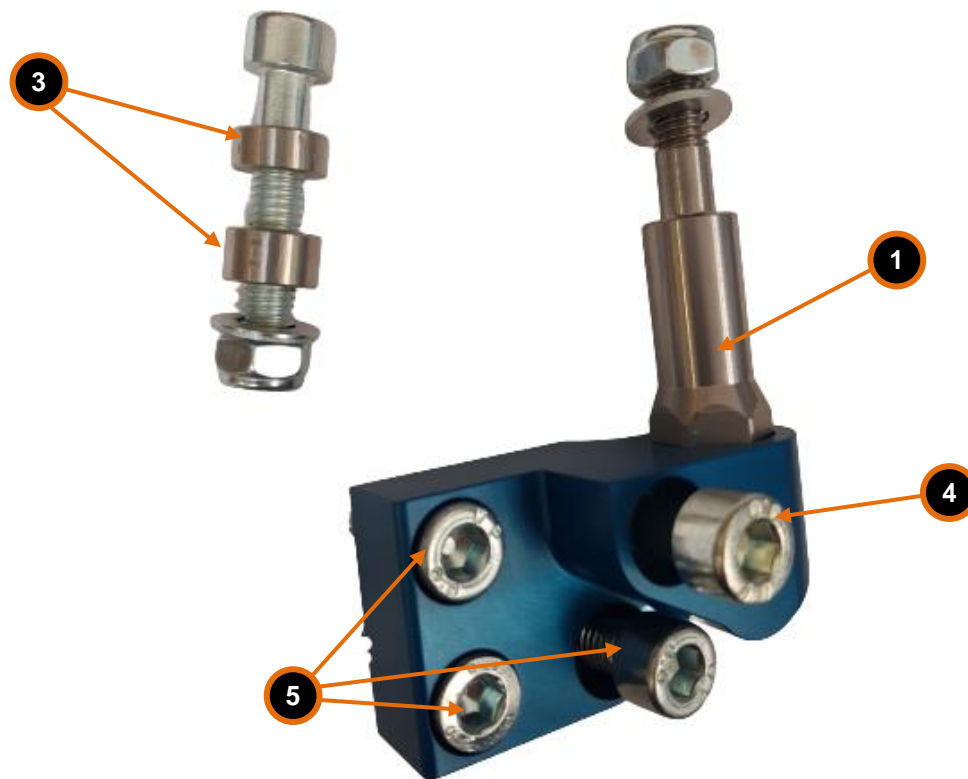
- Suitable for Beckert FWD sequential gearboxes.
- Very light
- Aircraft grade aluminium

Technical specifications

Weight	260 g
Operating temperature	-20 ... 80°C
Suitable actuator	GA-02-40x25

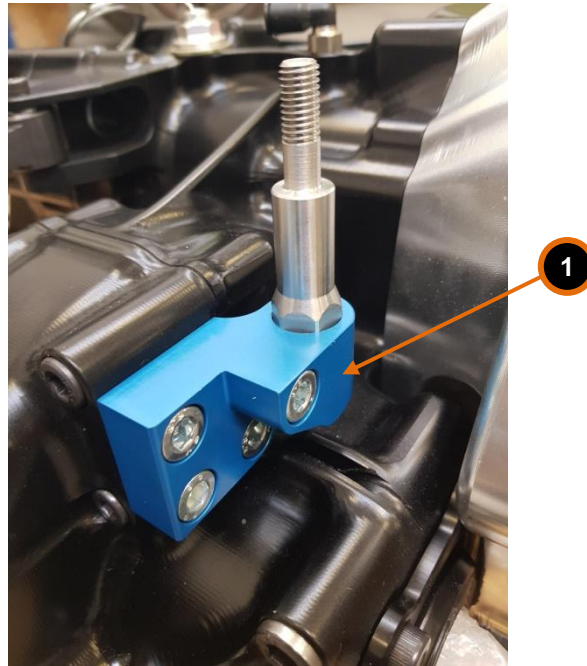
Included in the kit

- ① Aluminum gearbox holder with extension
- ② Bolt M8 length 45 mm with nut and washer
- ③ Stainless steel spacer 2 pcs
- ④ Bolt M8 length 35 mm
- ⑤ Three bolts M8 length 20 mm

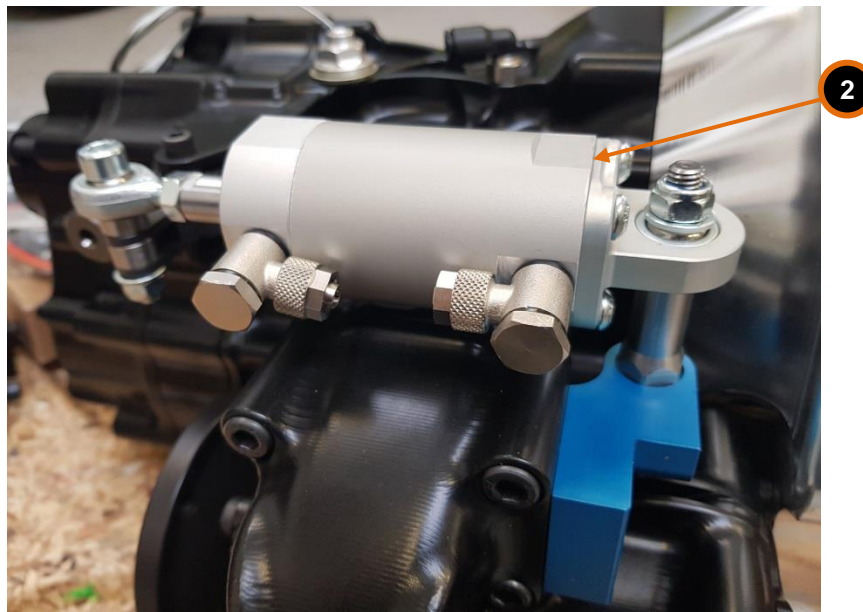


Assembling

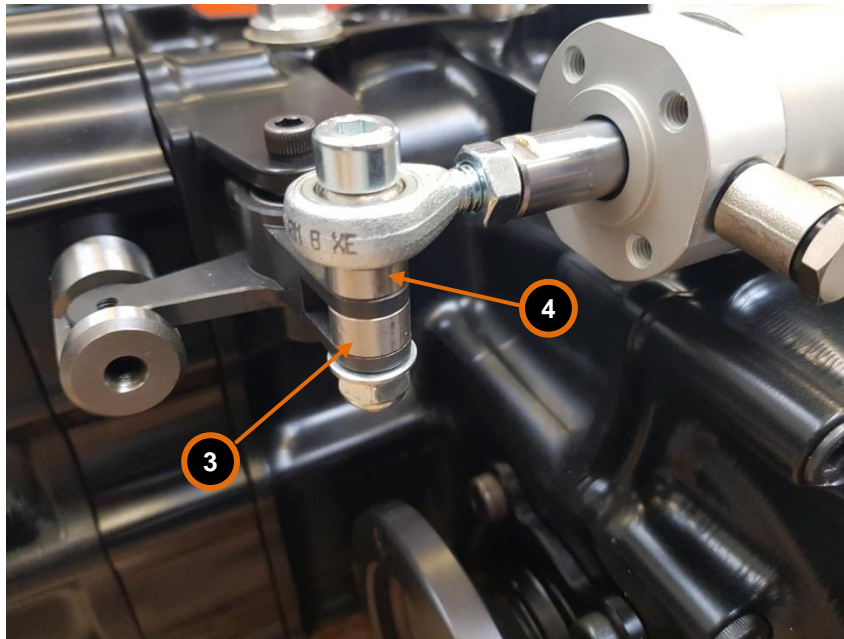
1. Mount the gearbox holder with extension ① to the gearbox.



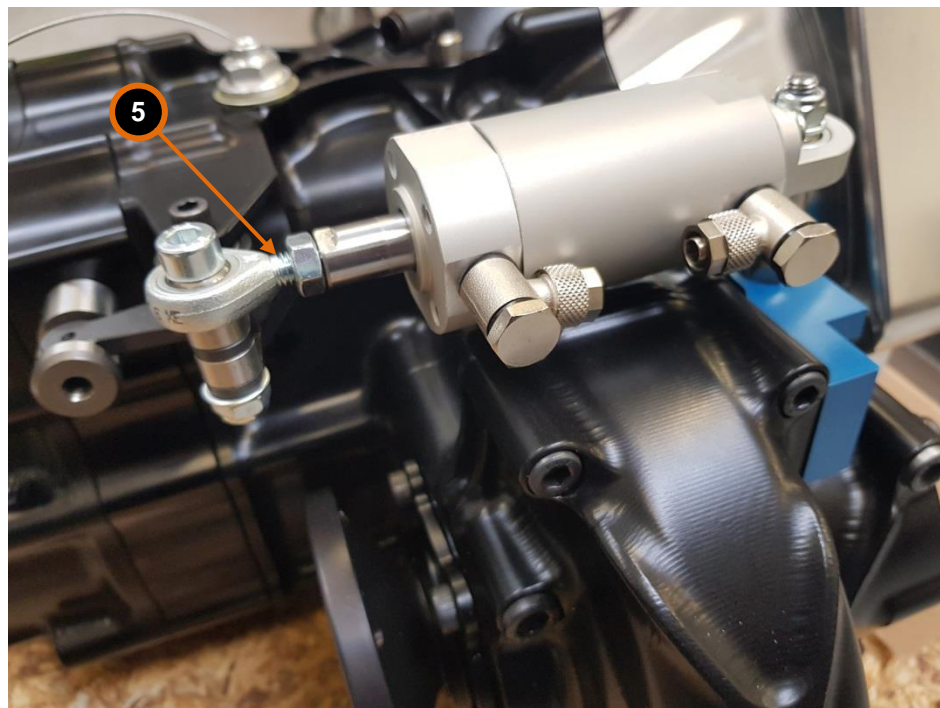
2. Mount gearbox actuator ② to the gearbox holder. Position of air lines can be reoriented by rotating of the mounting of the end eye ball.



3. Mount gear actuator to the shifting side of the gearbox. Insert 8 mm wide stainless steel spacer ③ in the spot between forks and 5 mm wide spacer ④ above the forks and beneath rod end.



4. Check the stroke of the actuator. Stroke of actuator must be adjusted to 23 mm (spacer attached in actuator kit, see manuals for actuator). Set the middle position of the shifting arm by adjusting the rod end ⑤.



5. Connect the air-line. Gear up **6** and gear down **7**.

