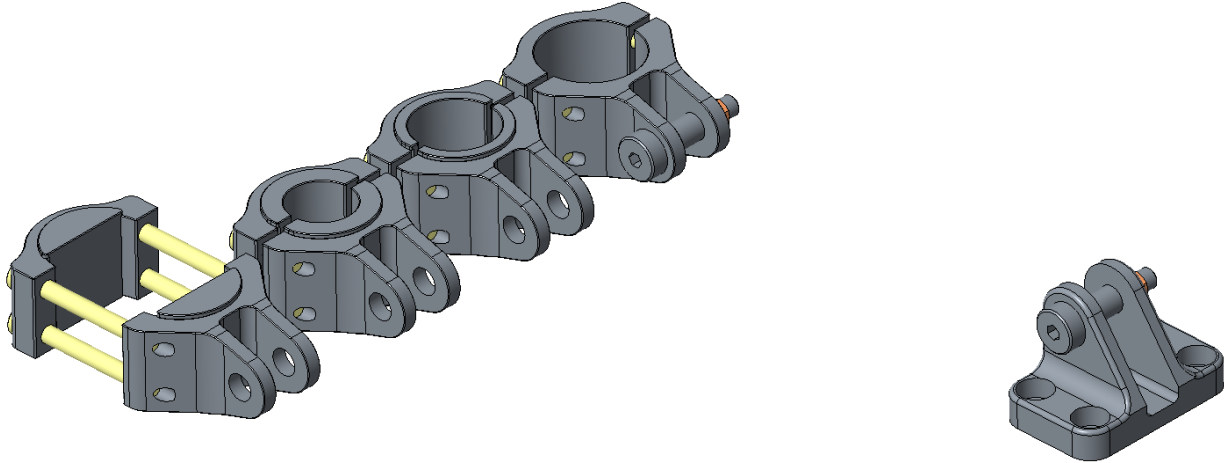


Gear Actuator Universal Mounting Kit



Features

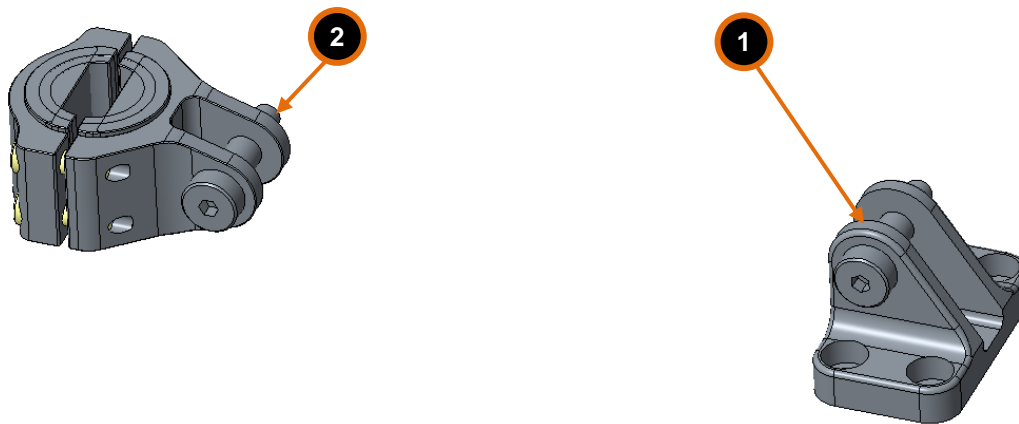
- Suitable for all MME Gear Actuators
- Many mounting options
- Available as complete kit or front and back side separately

Technical specifications

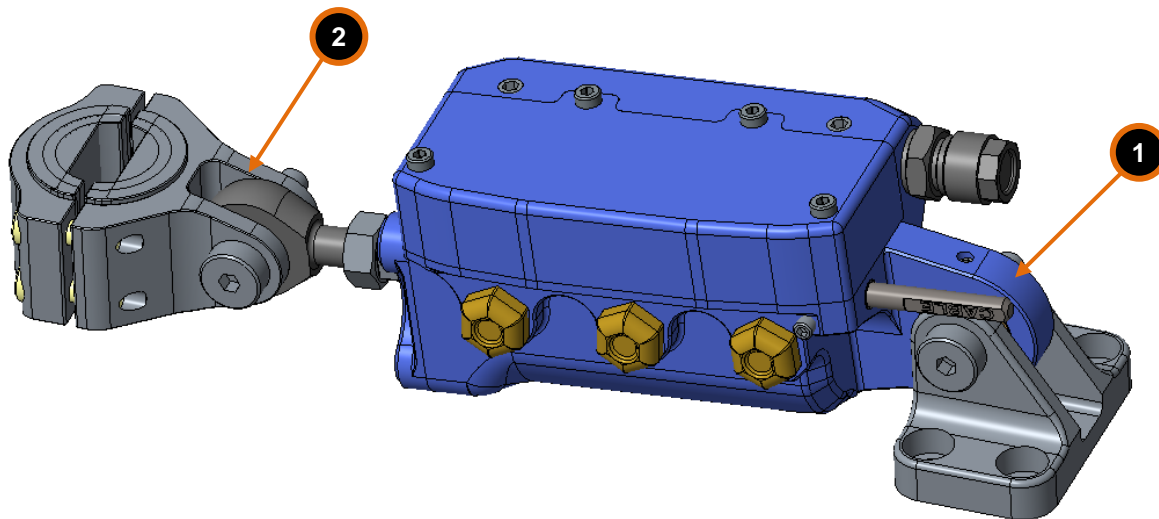
	Back	Front
Dimensions L x W x H	54 x 35 x 36 mm	47 x 45 x 25 mm
Weight	70 g	170 g

Included in the kit

- ① Back side of the mounting kit (including rod end mountings and screws)
- ② Front side of the mounting kit (including rod end mountings and screws). With adapters for different gear lever sizes.

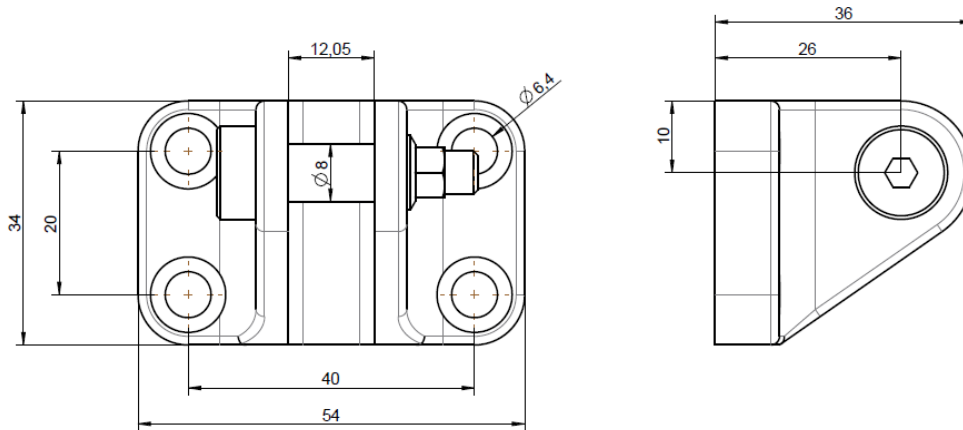


Connection Diagram



Technical drawing

GA-UMK-01-B



GA-UMK-01-F

