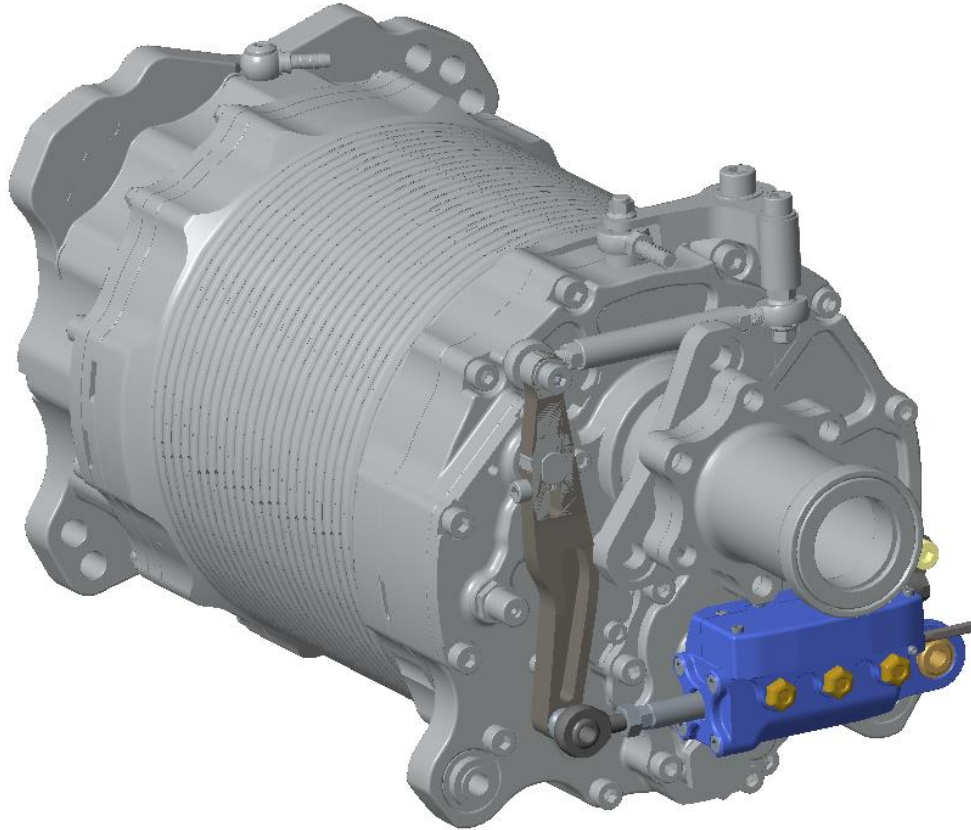


## Samsonas RS90 mounting bracket



### Features

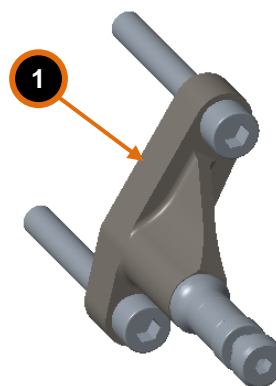
- Suitable for Samsonas RS90 sequential gearbox
- Very light
- Aircraft grade aluminium
- Can be used with gear lever

### Technical specifications

Dimensions L x W x H	195 x 185 x 55 mm
Weight	200 g
Operating temperature	-20 ... 80°C

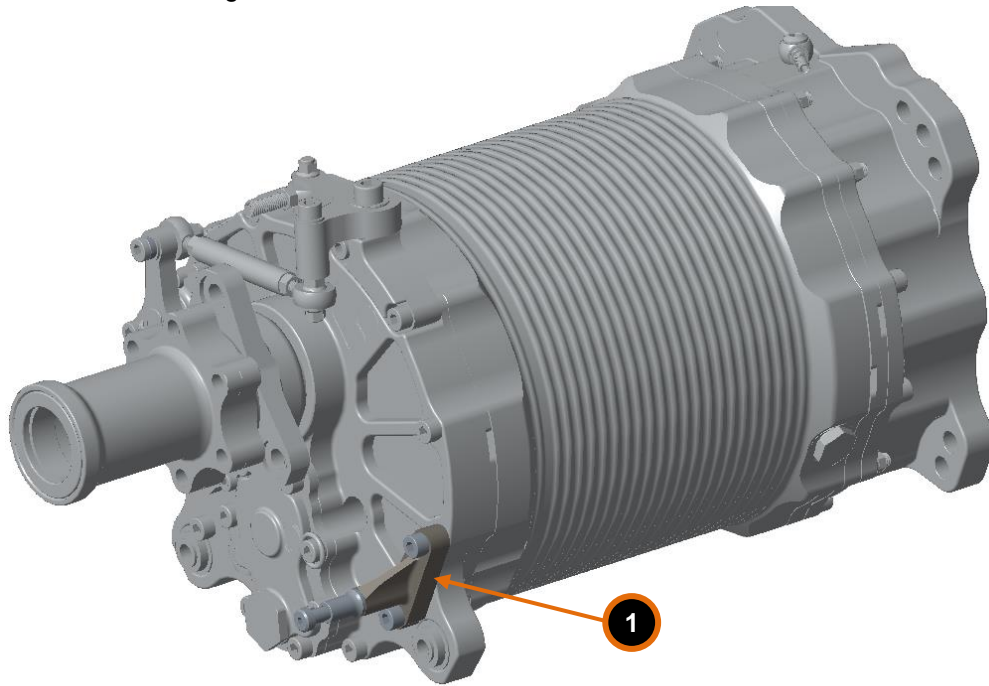
### Included in the kit

- ① Fixed mounting holder with screws
- ② Moving mounting holder with screws

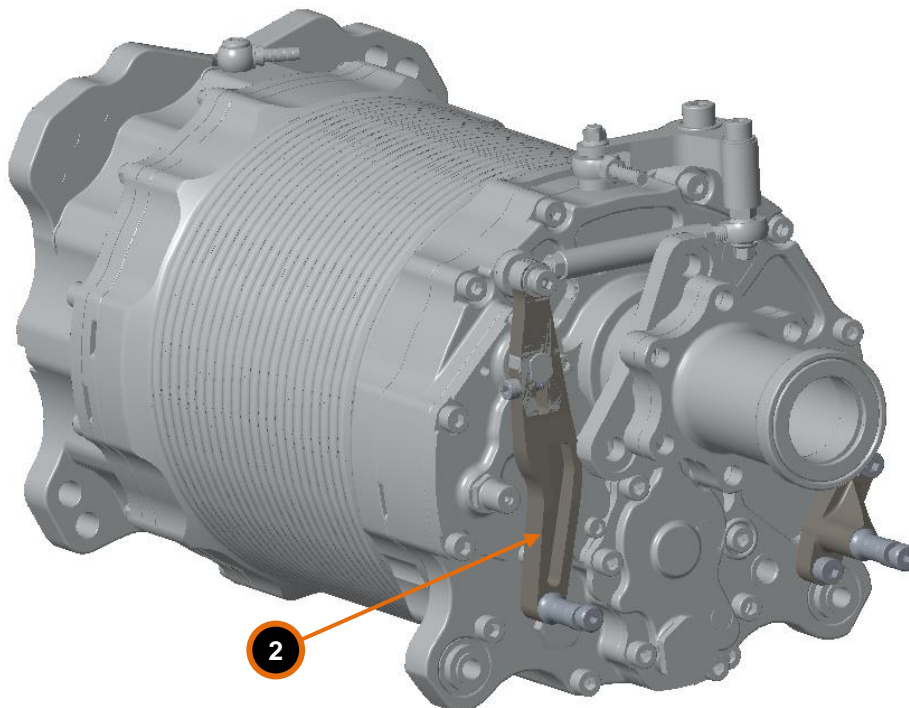


## Assembling

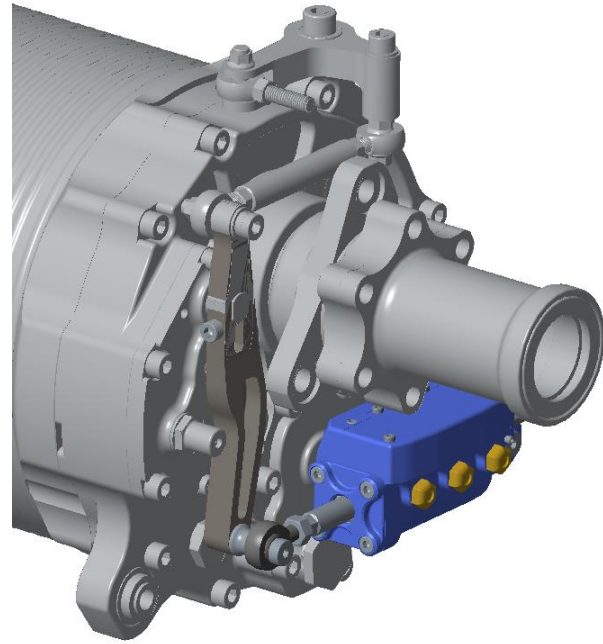
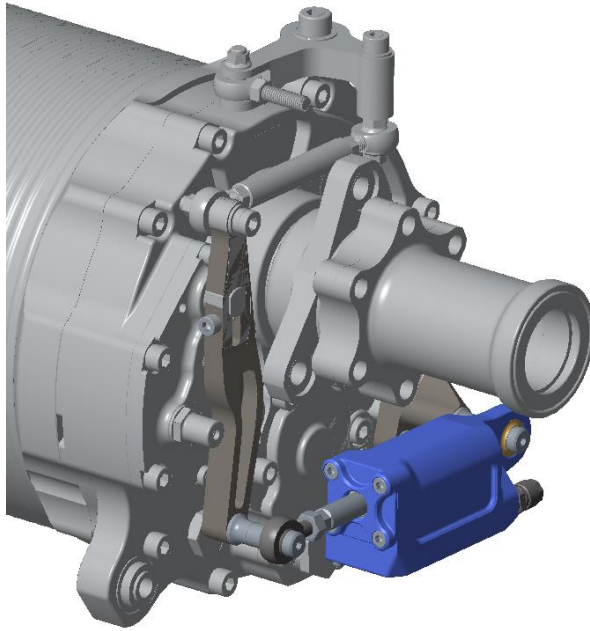
1. Mount fixed holder to the gearbox case. Screws attached.



2. Mount moving holder to the gearbox case. Original part must be removed. Screws attached.



3. Mount gearbox actuator. Actuator can be mounted on two different directions (depends on the gearbox output shaft). Stroke of actuator must be adjusted. Stroke of the movement must be limited on the actuator (spacer attached, see manuals for actuator). Set the middle position of the shifting arm by adjusting the rod end.



4. Connect the air-line and wiring.