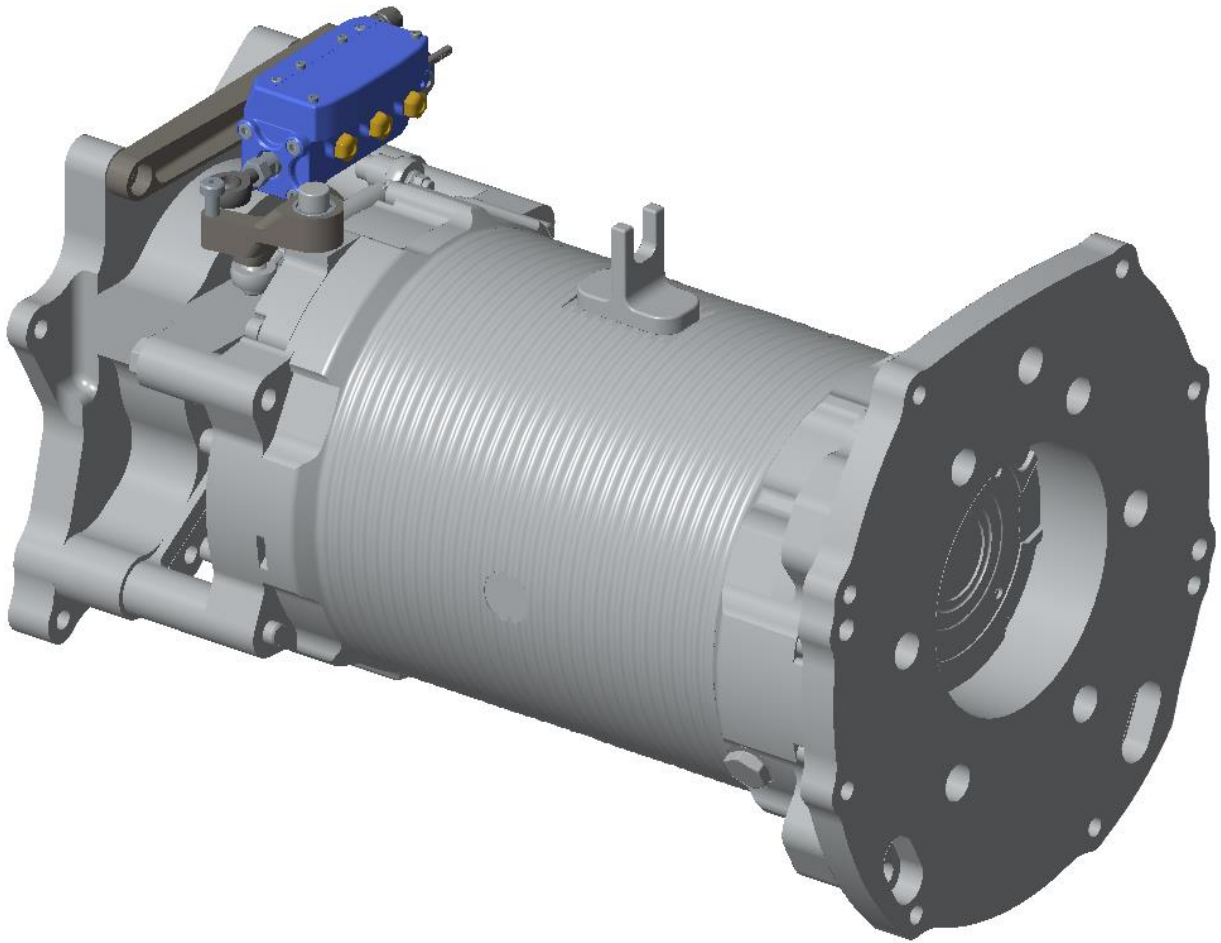


Samsonas CORVETTE mounting bracket



Features

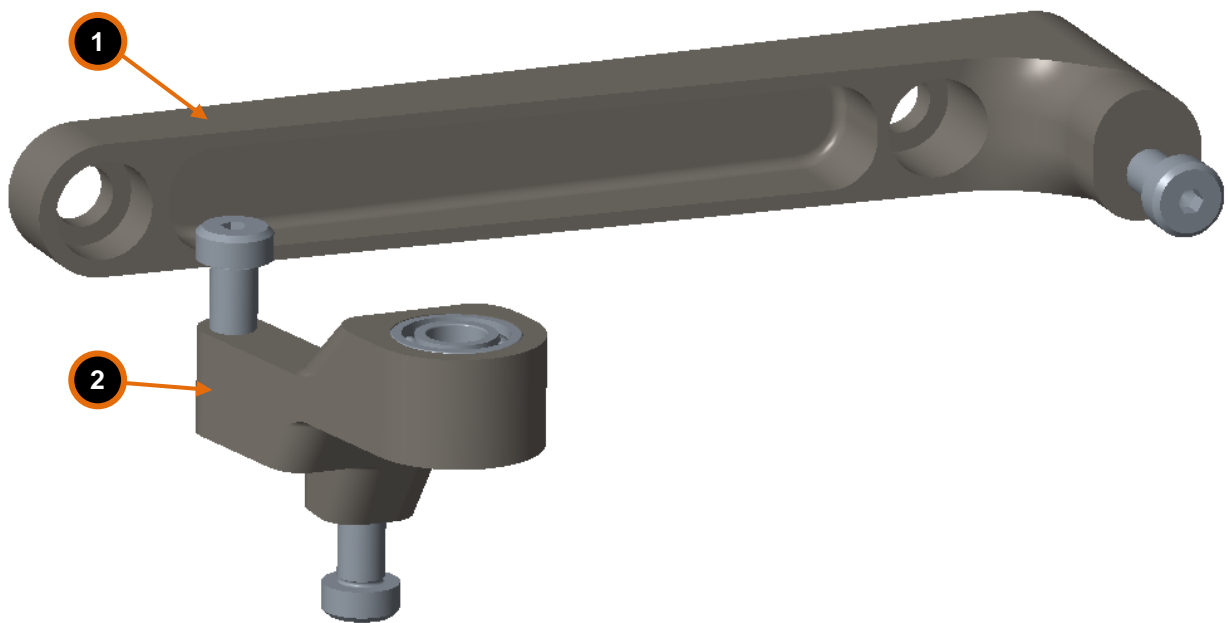
- Suitable for Samsonas Corvette sequential gearbox
- Very light
- Aircraft grade aluminium

Technical specifications

Dimensions L x W x H	195 x 120 x 30 mm
Weight	300 g
Operating temperature	-20 ... 80°C

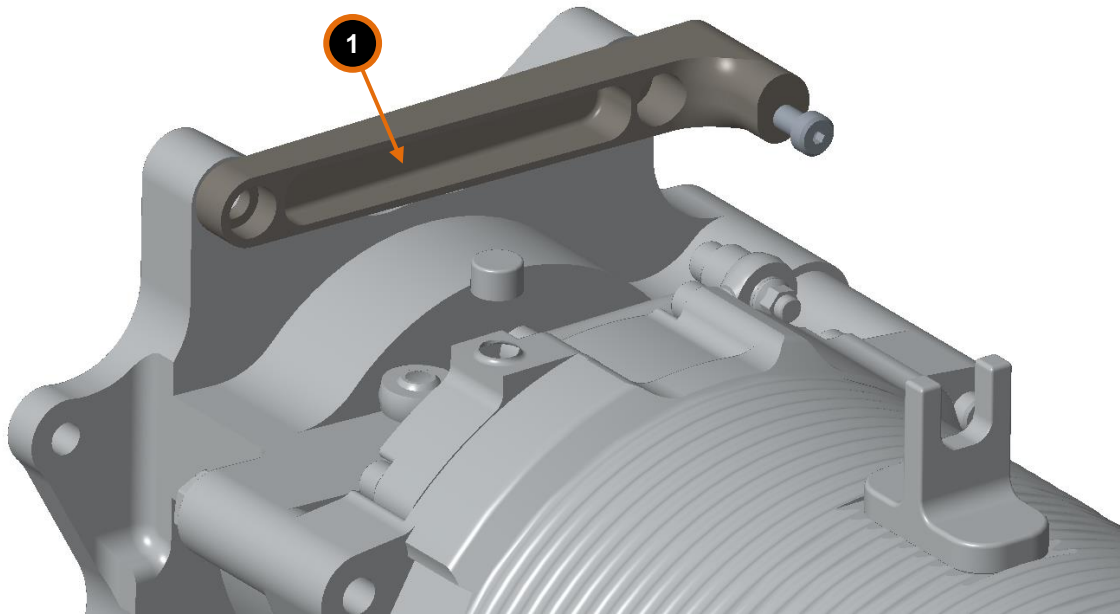
Included in the kit

- ① Fixed mounting holder
- ② Moving mounting holder

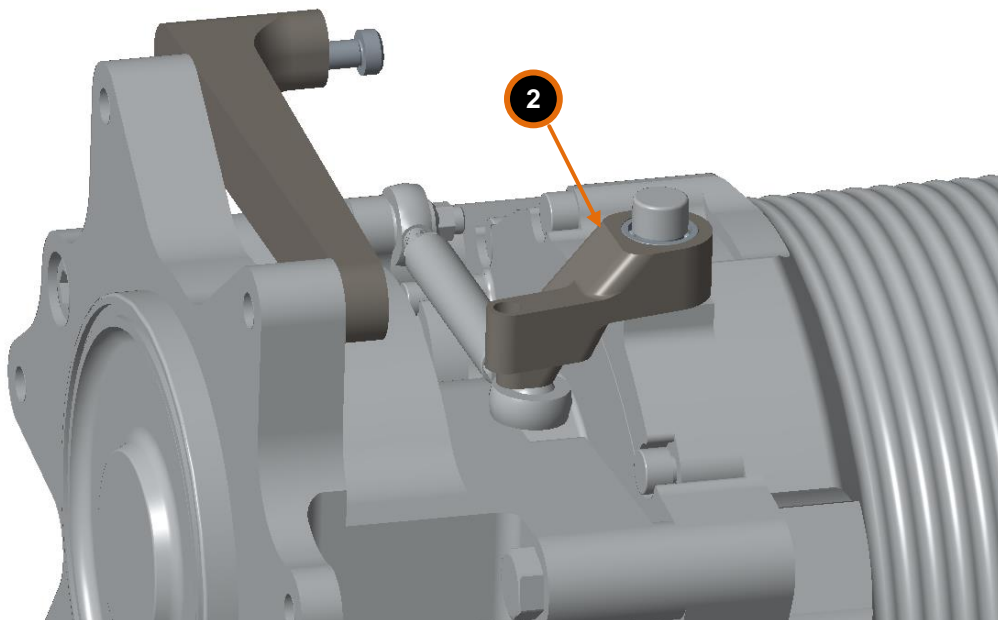


Assembling

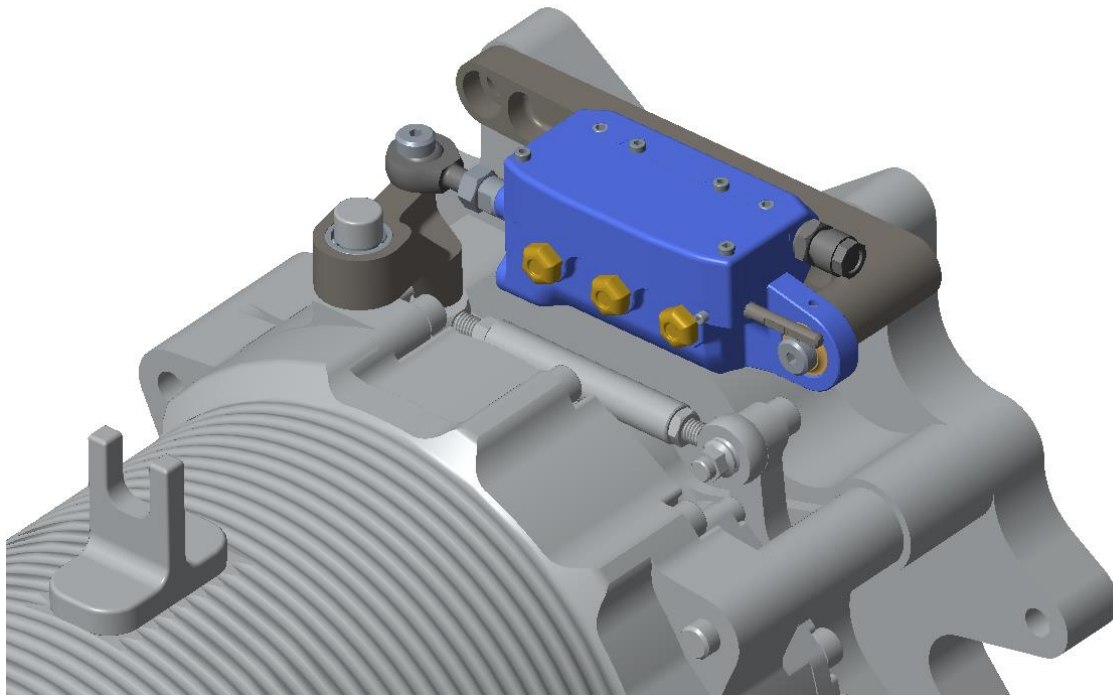
1. Mount fixed holder to the gearbox case. Use original bolts.



2. Mount moving holder to the gearbox case. Use original bolts. At the bottom of the moving holder is mounted original gear lever for gearbox.



3. Mount gearbox actuator. Stroke of actuator must be adjusted. Stroke of the movement must be limited on the actuator (spacer attached, see manuals for actuator). Set the middle position of the shifting arm by adjusting the rod end.



4. Connect the air-line and wiring.