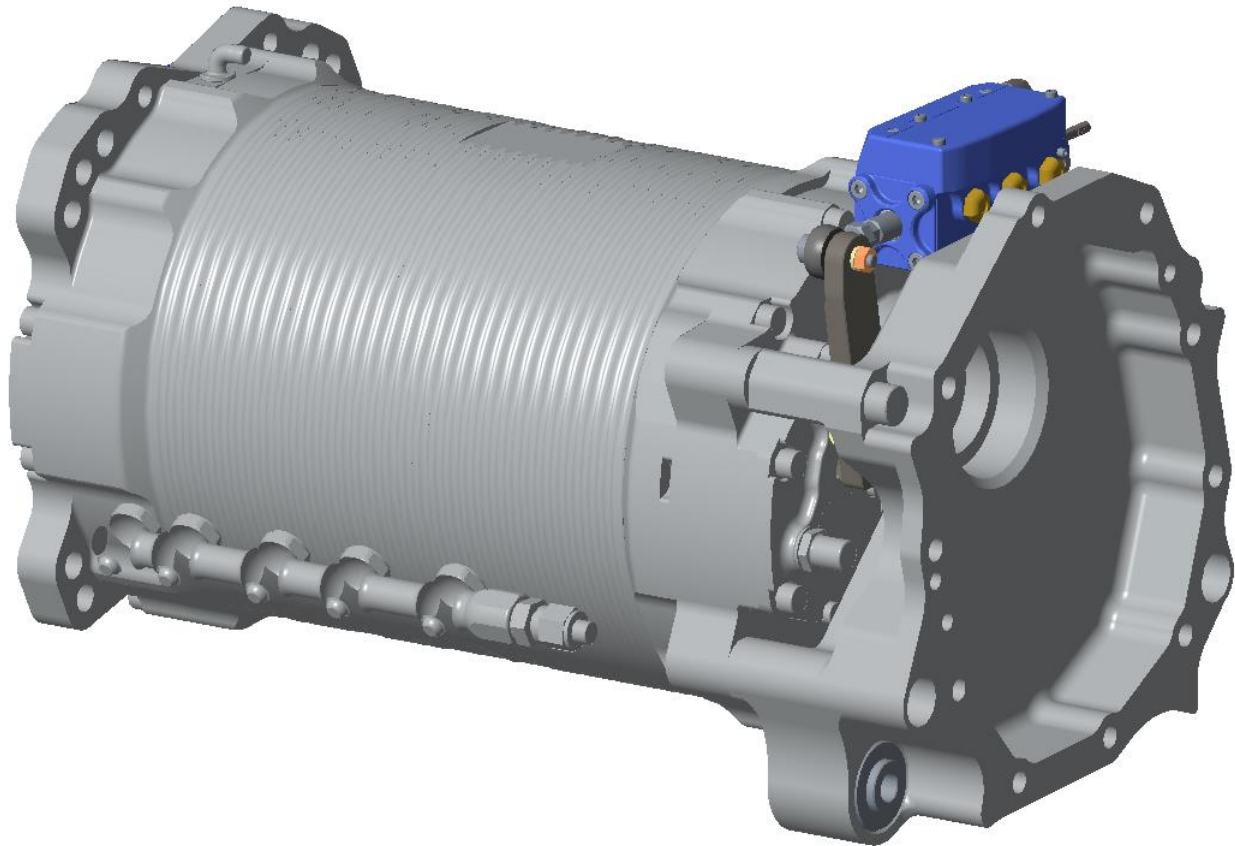


Samsonas GTR mounting bracket



Features

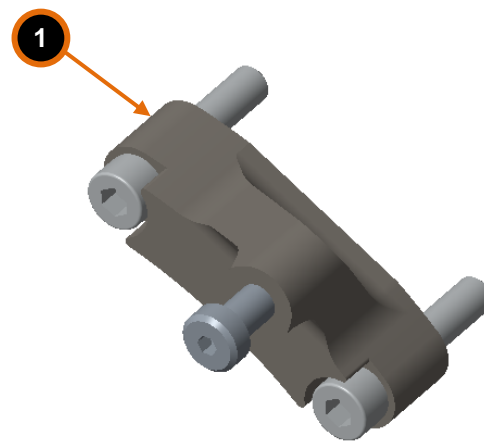
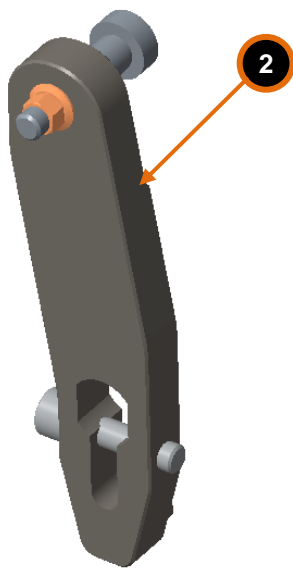
- Suitable for Samsonas GTR sequential gearbox
- Very light
- Aircraft grade aluminium

Technical specifications

Dimensions L x W x H	195 x 150 x 35 mm
Weight	200 g
Operating temperature	-20 ... 80°C

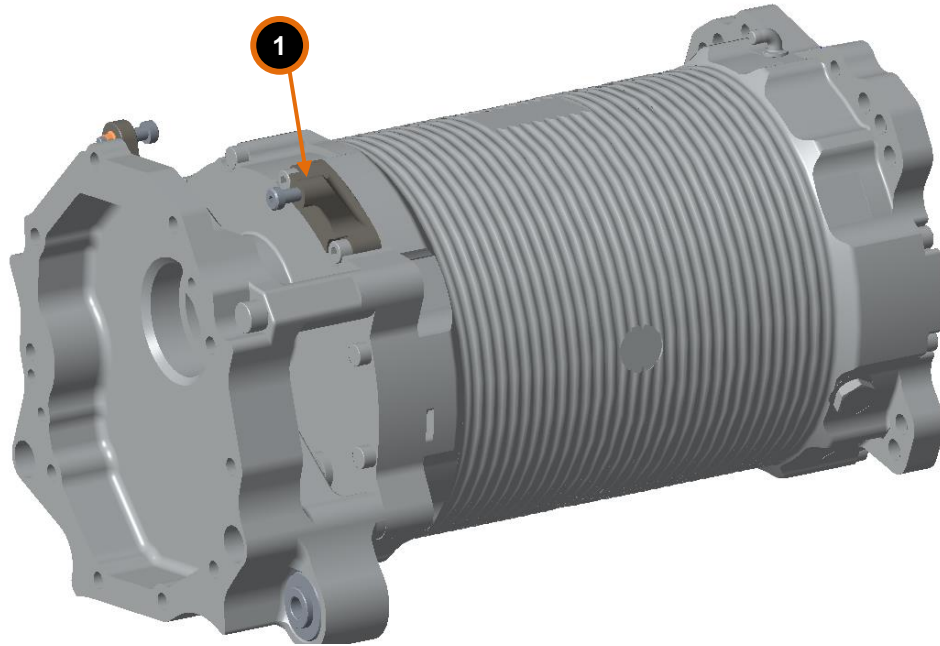
Included in the kit

- ① Fixed mounting holder with screws
- ② Moving mounting holder with screws

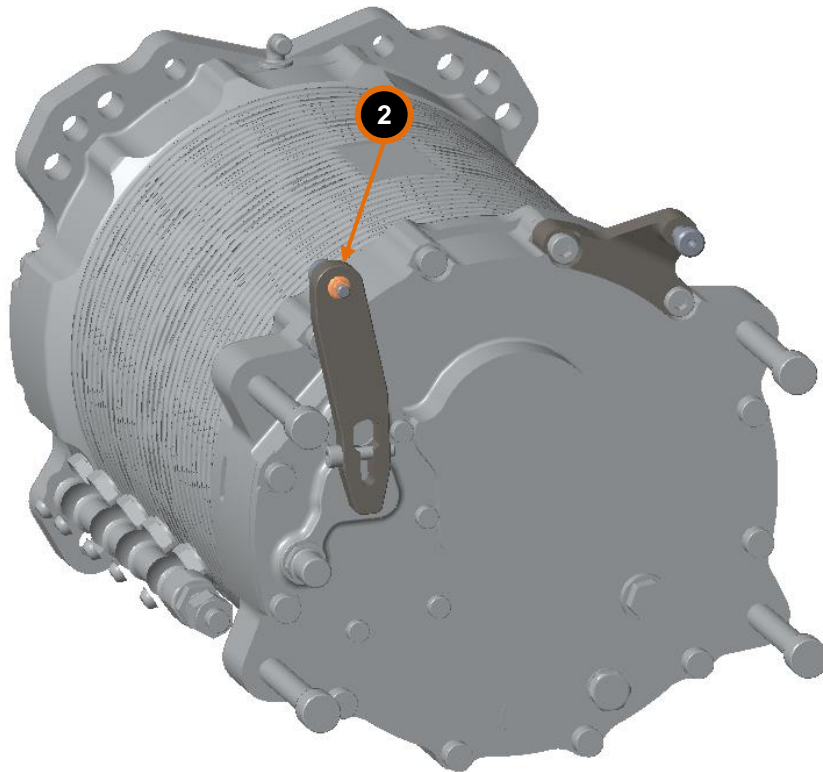


Assembling

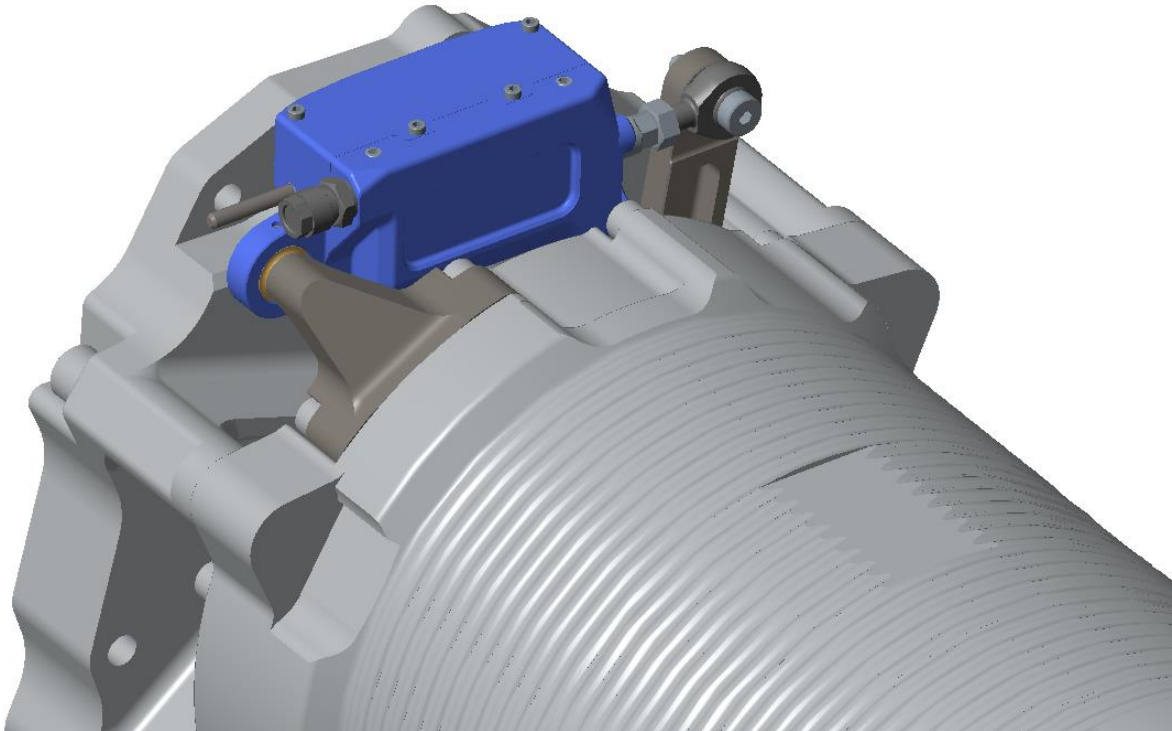
1. Mount fixed holder to the gearbox case. Screws attached.



2. Mount moving holder to the gearbox case. Original part must be removed. Screws attached.



3. Mount gearbox actuator. Stroke of actuator must be adjusted. Stroke of the movement must be limited on the actuator (spacer attached, see manuals for actuator). Set the middle position of the shifting arm by adjusting the rod end.



4. Connect the air-line and wiring.