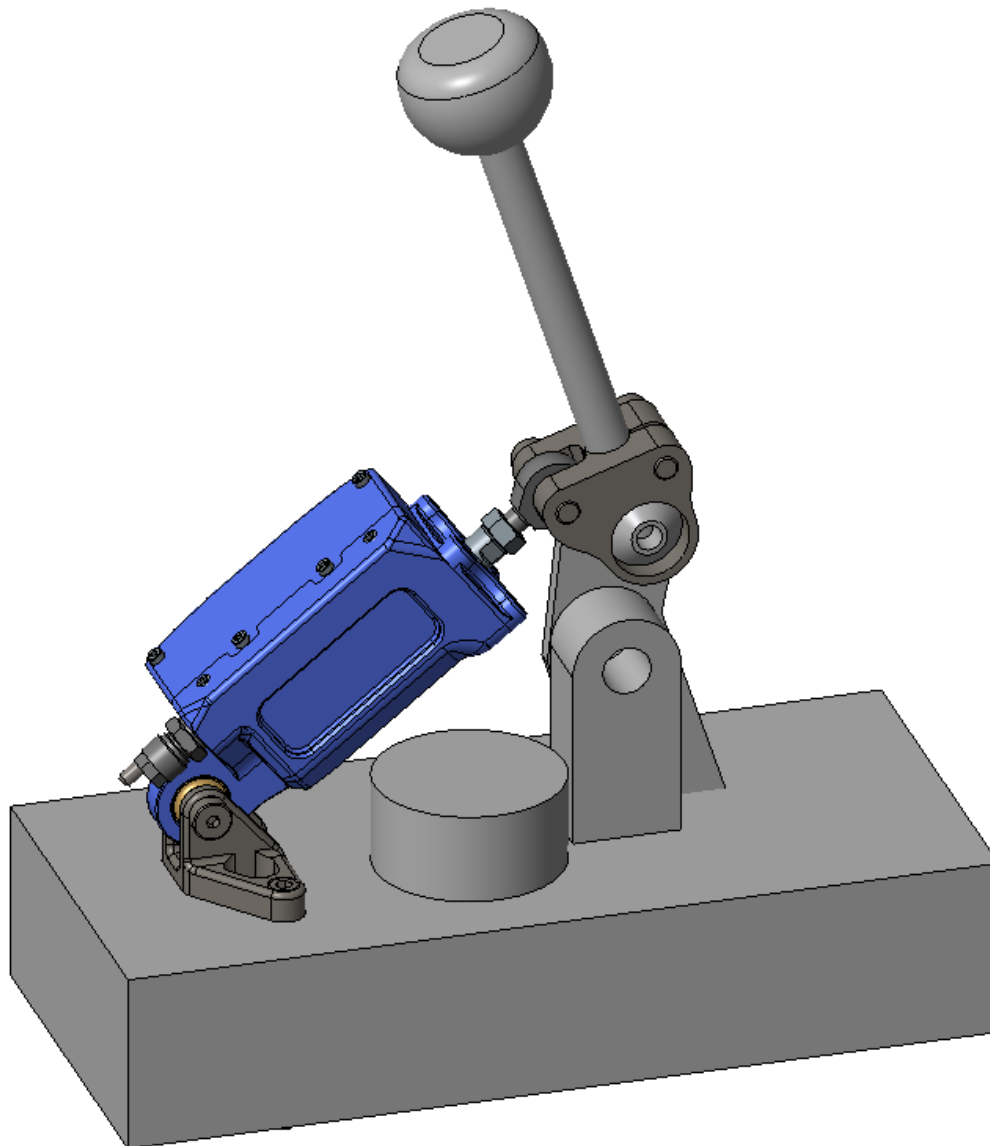


SQS Mounting kit with position sensor upgrade



Features

- Suitable for SQS/SSS Seqshift.
- Very light
- Aircraft grade aluminium

Technical specifications

| | |
|-------------------|----------------------------|
| Weight | 200 g |
| Suitable actuator | GA-04-32x50 GA-05-40x50 |

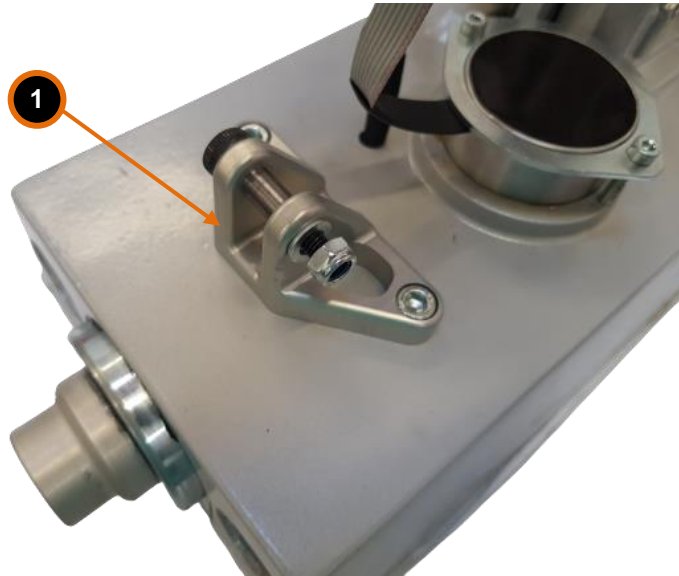
Included in the kit

- ① Aluminum base holder with mounting pin
- ② Aluminum holder on stick
- ③ Two bolts M8 length 35 mm
- ④ Two bolts M6 length 80 mm

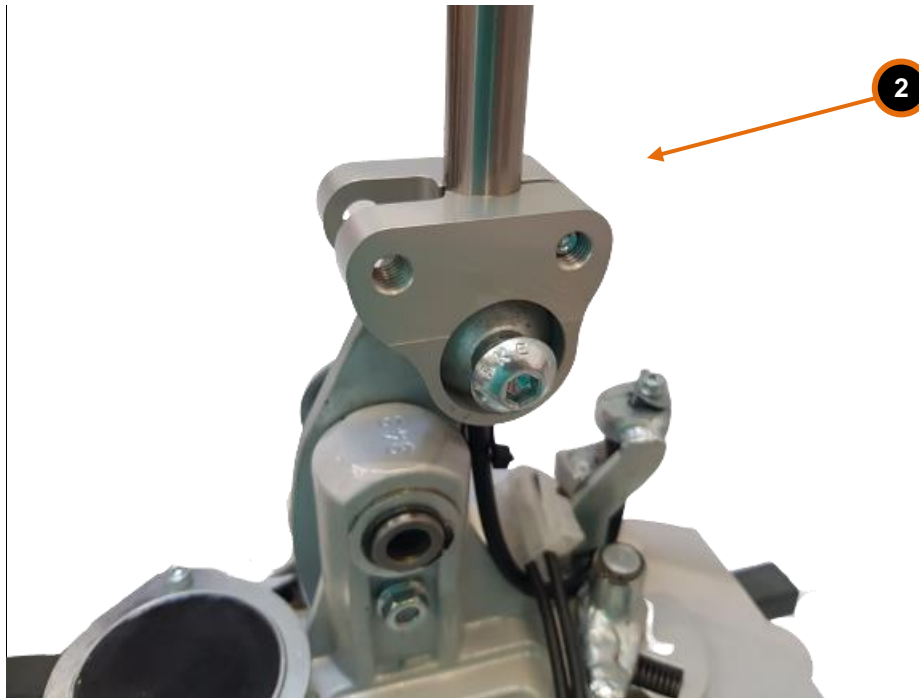


Assembling

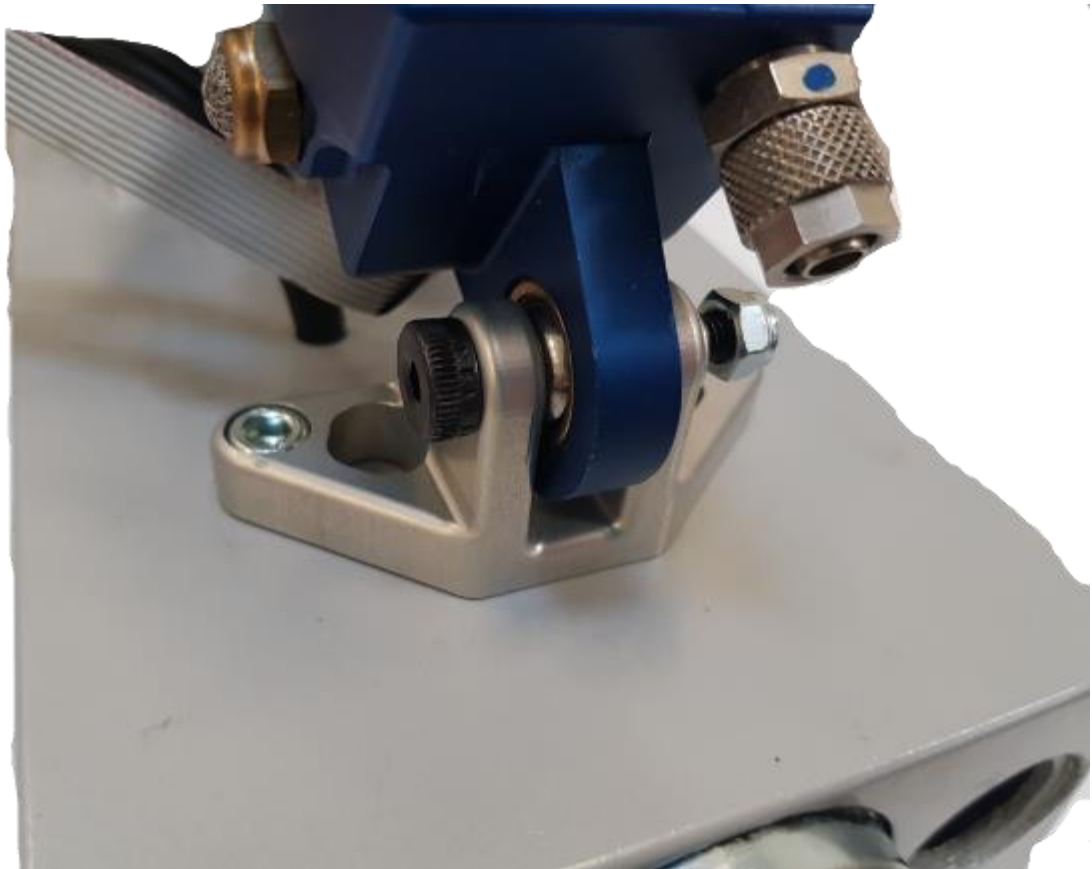
1. Mount the base holder with mounting pin ① to the SQS. Use two M6x80 mm bolts included in the kit.



2. Mount holder on stick ②. Use M8x35 bolt.

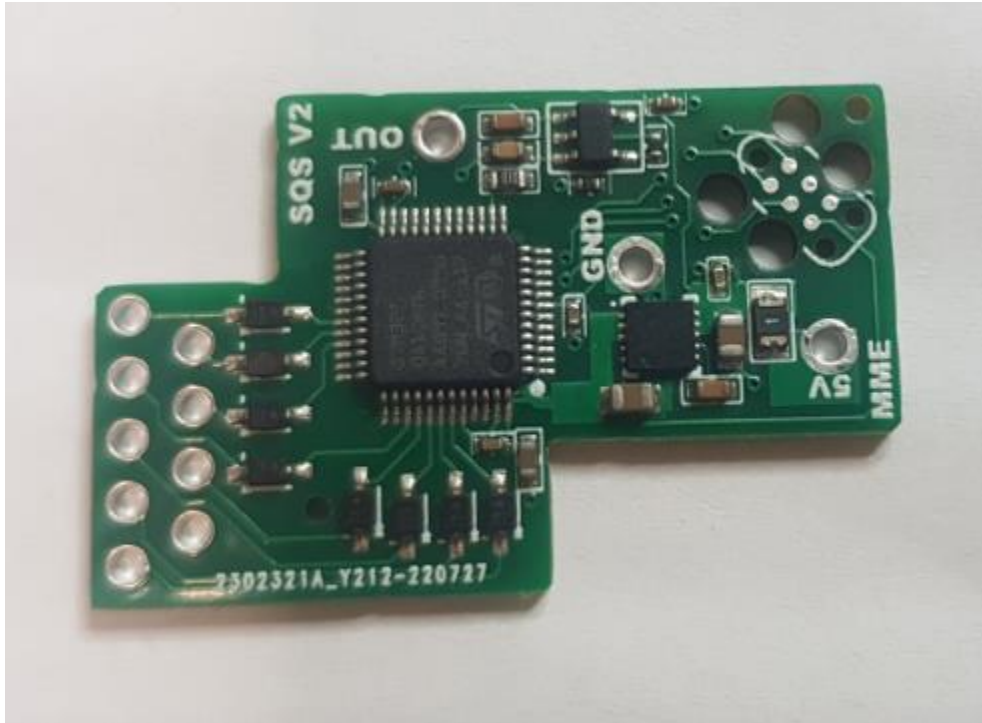


3. Mount gear actuator to the SQS. Stroke of the actuator must be adjusted to 32.5 mm (see gearbox actuator manuals). Stroke may vary depending on the SQS version used.



Position sensor upgrade

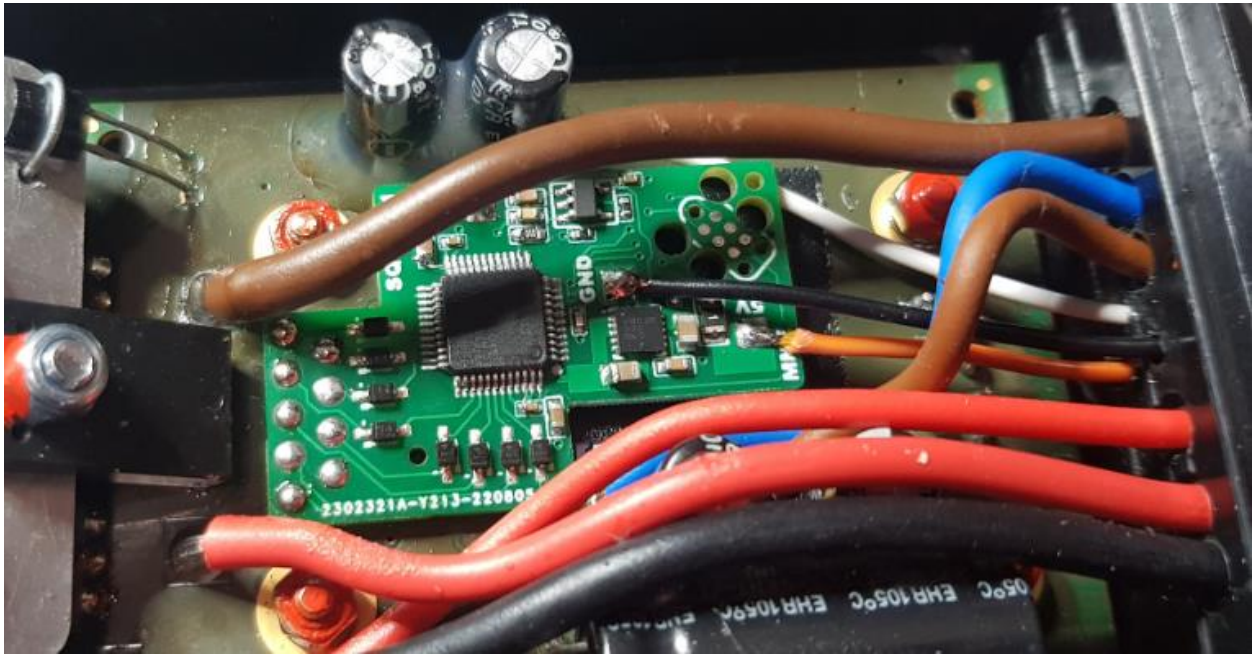
This is the board you need to solder into the original SQS “black” box.



1. Drill 3 small (1.5mm) holes into the enclosure



- Place the board into the box and solder it to the DB9 pins. Easiest way to do it is to de-solder the brown wire first, put the sqs board in and then solder the brown wire back. Route the 3 wires of the sqs board through the holes made in step 3.



Position sensor wiring and operation

Board does not have reverse polarity protection so make sure the wiring and voltages are within range or it could be damaged permanently.

| Wire Color | Function |
|------------|---|
| Orange | 5V from ECU – make sure 5V is stable and does not exceed +/- 5.5V |
| Black | Ground from ECU |
| White | 0-5V analog position |

Analog output:

| | |
|---------|-------|
| Reverse | 0.5 V |
| Neutral | 1 V |
| First | 1.5 V |
| Second | 2 V |
| Third | 2.5 V |
| Fourth | 3V |
| Fifth | 3.5V |
| Sixth | 4V |