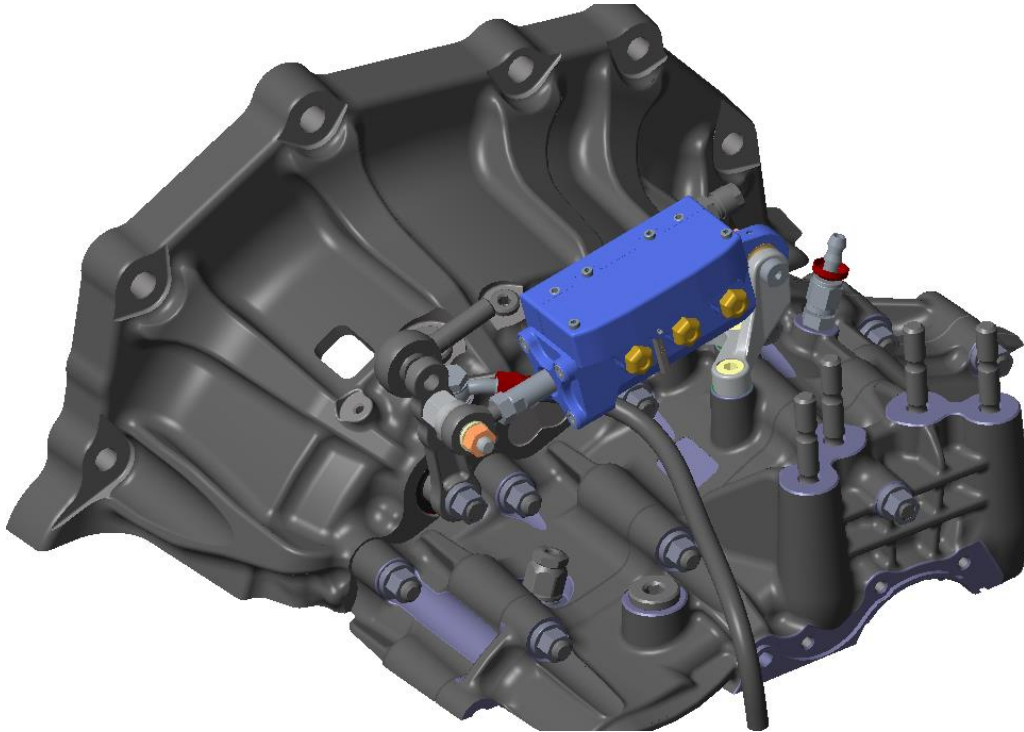


X-Shift Yaris GR Mounting Kit



Features

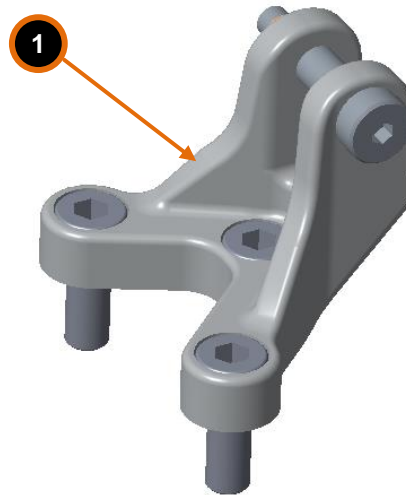
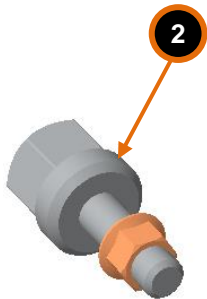
- Suitable for X Shift Yaris GR sequential gearboxes.
- Very light
- Aircraft grade aluminium

Technical specifications

Weight	130 g
Operating temperature	-20 ... 80°C

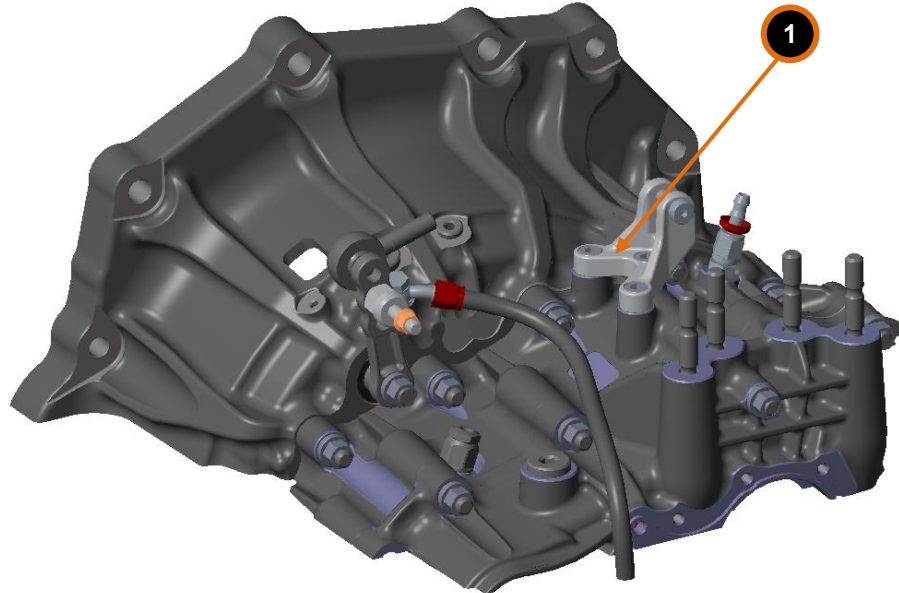
Included in the kit

- ① Fixed mounting holder with screws
- ② Moving mounting holder with screws

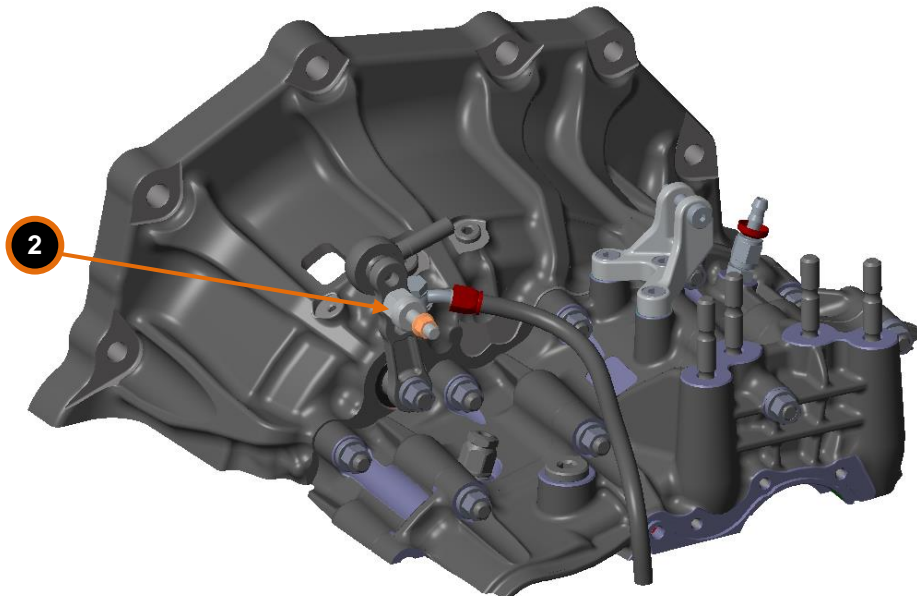


Assembling

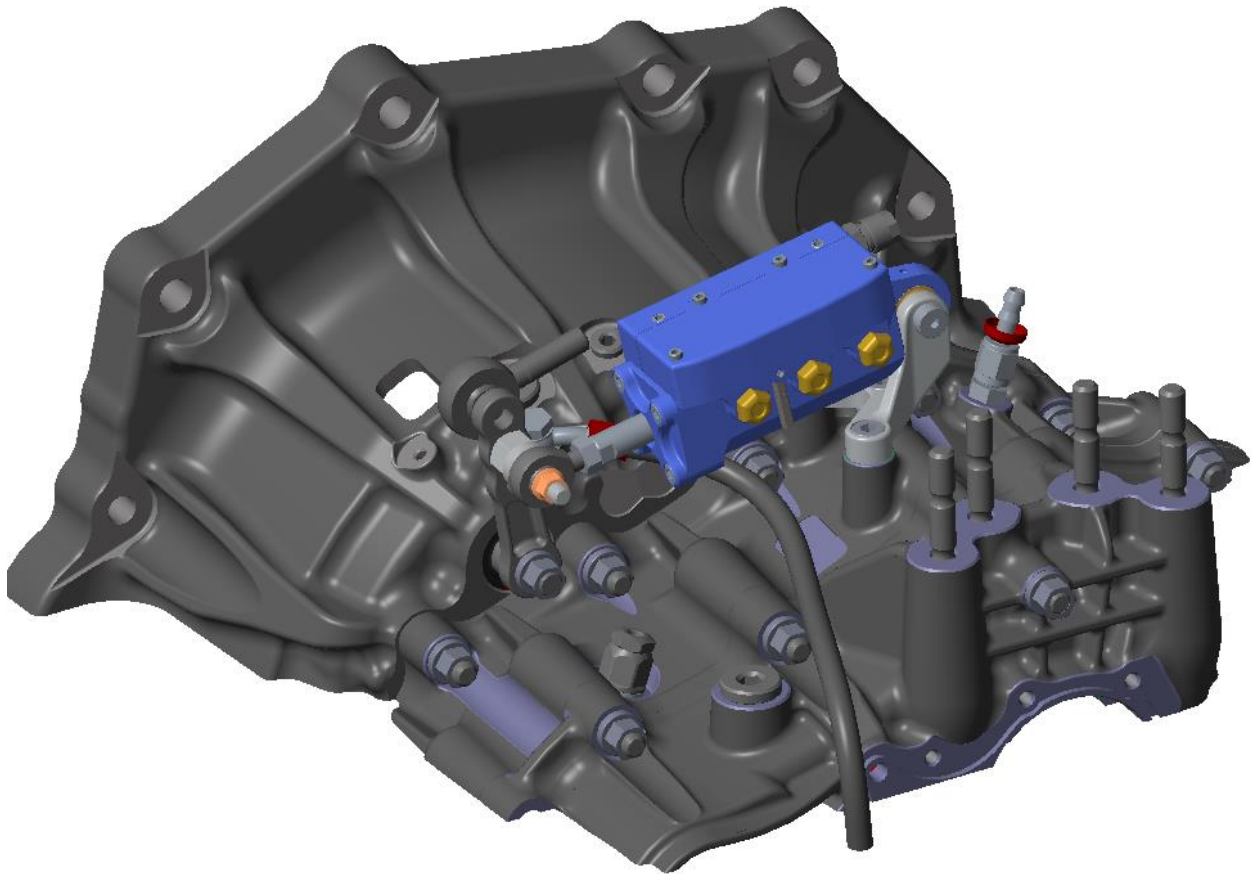
1. Mount fixed mounting holder ① to the gearbox.



2. Mount moving holder to the gearbox.



3. Mount gearbox actuator. Stroke of actuator must be adjusted. Stroke of the movement must be limited on the actuator (spacer attached, see manuals for actuator). Set the middle position of the shifting arm by adjusting the rod end.



4. Connect the air-line and wiring.