

Direct Drive Adapter



Features

- Light
- Robust
- Aircraft grade aluminium anodized in black
- Comes with bolts and set screws (all you need is hex keys which are not supplied)

Technical specifications

Dimensions L x W x H	80 x 70 x 68 mm
Weight	200 g
Operating temperature	-20 ... 80°C

Assembling – CSL Elite Steering Wheel WRC example

1. Unmount your original adapter from the WRC steering wheel. Unscrew six bolts ①. Remember location of the screws, because they're different length. Please refer to “General Service/Mounting Rules”.



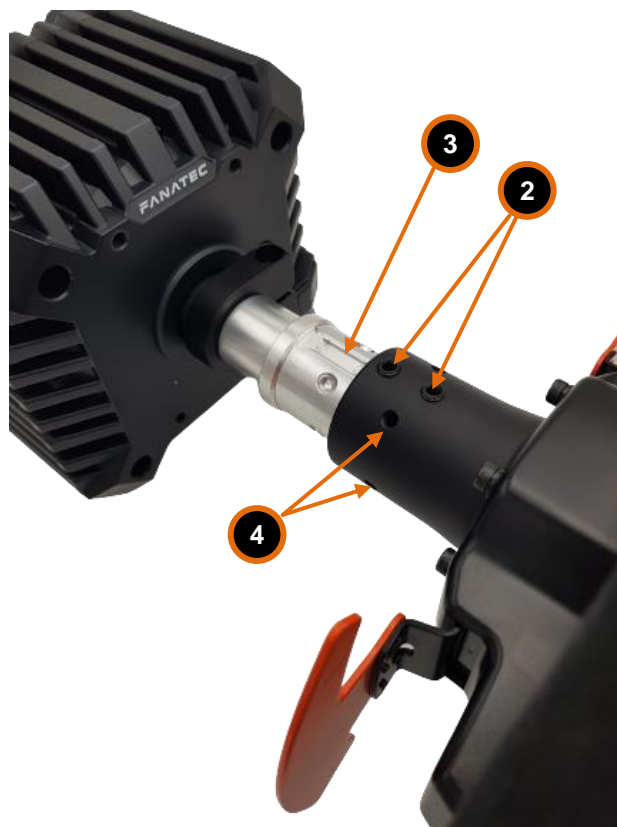
2. Position SIM-DDA-01 to your steering wheel. There is only one possible rotation to fit the adapter.



3. Screw bolts ① back to mount the adapter



4. Mount the steering wheel to the direct drive. Be careful of the orientation. Two M8 set screws ② slide into the biggest groove ③ on the DD. Five M6 set screws ④ must be removed prior to fitting. Incorrect orientation may damage connection pins.



5. Carefully tighten M8 set screws ② first and then tighten all six M6 set screws ④. All set screws are completely tightened when they are aligned with the outer surface of the adapter.

