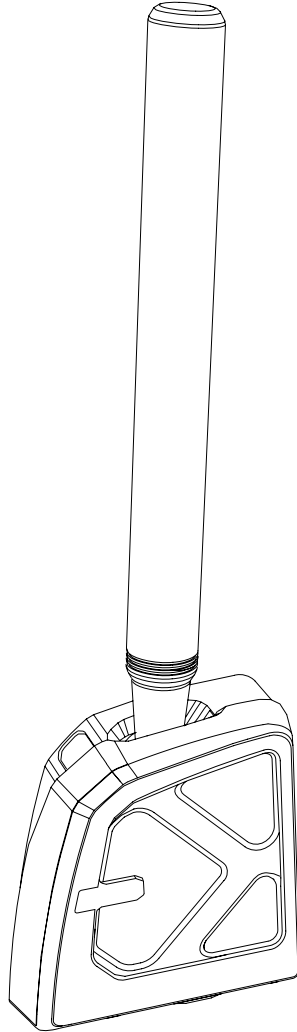


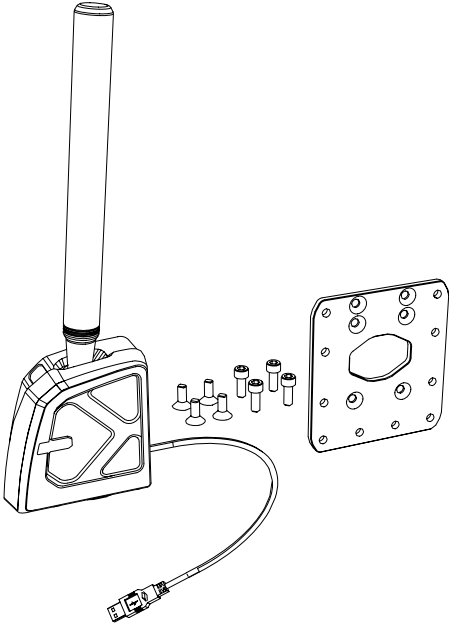


# HAND • BRAKE

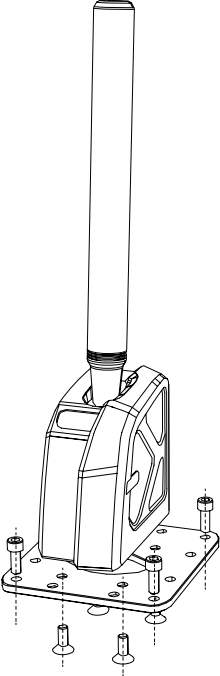


## QUICK GUIDE

# 1. Package content

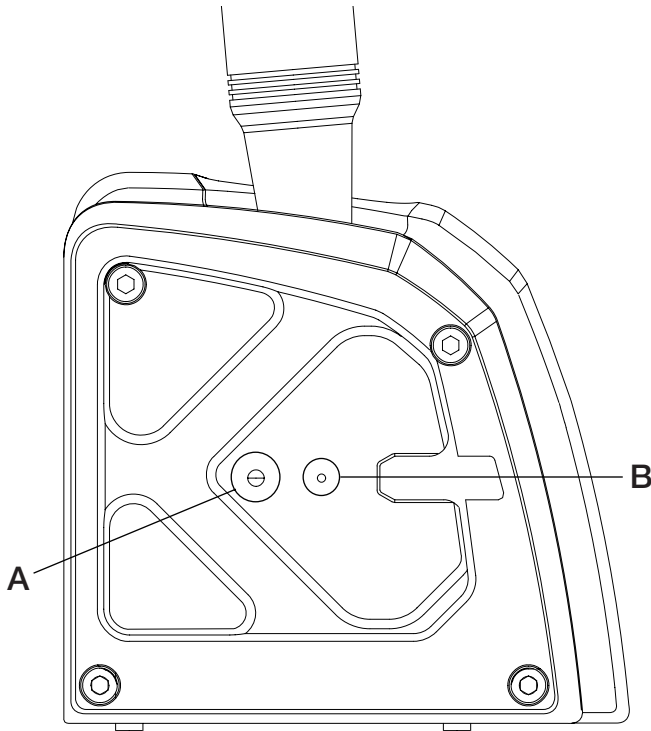


# 2. Mounting



### 3. Calibrating pressure

Handbrake shipped has already been calibrated. Re-calibration is needed only, if different pressure is desired.



#### Calibration steps:

1. Use small bit to access the calibration button **(B)** and hold that button for 3 seconds.
2. LED **(A)** will start to blink.
3. Move the lever to desired position. This will be your new maximum pressure.
4. After 5 seconds LED will blink fast 5 times. Calibration is finished.



Gearbox  
shifting  
technology

**MME motorsport ltd.**

Dobračevska 55

4226 Žiri

Slovenia

---

[www.mme-motorsport.com/en/](http://www.mme-motorsport.com/en/)